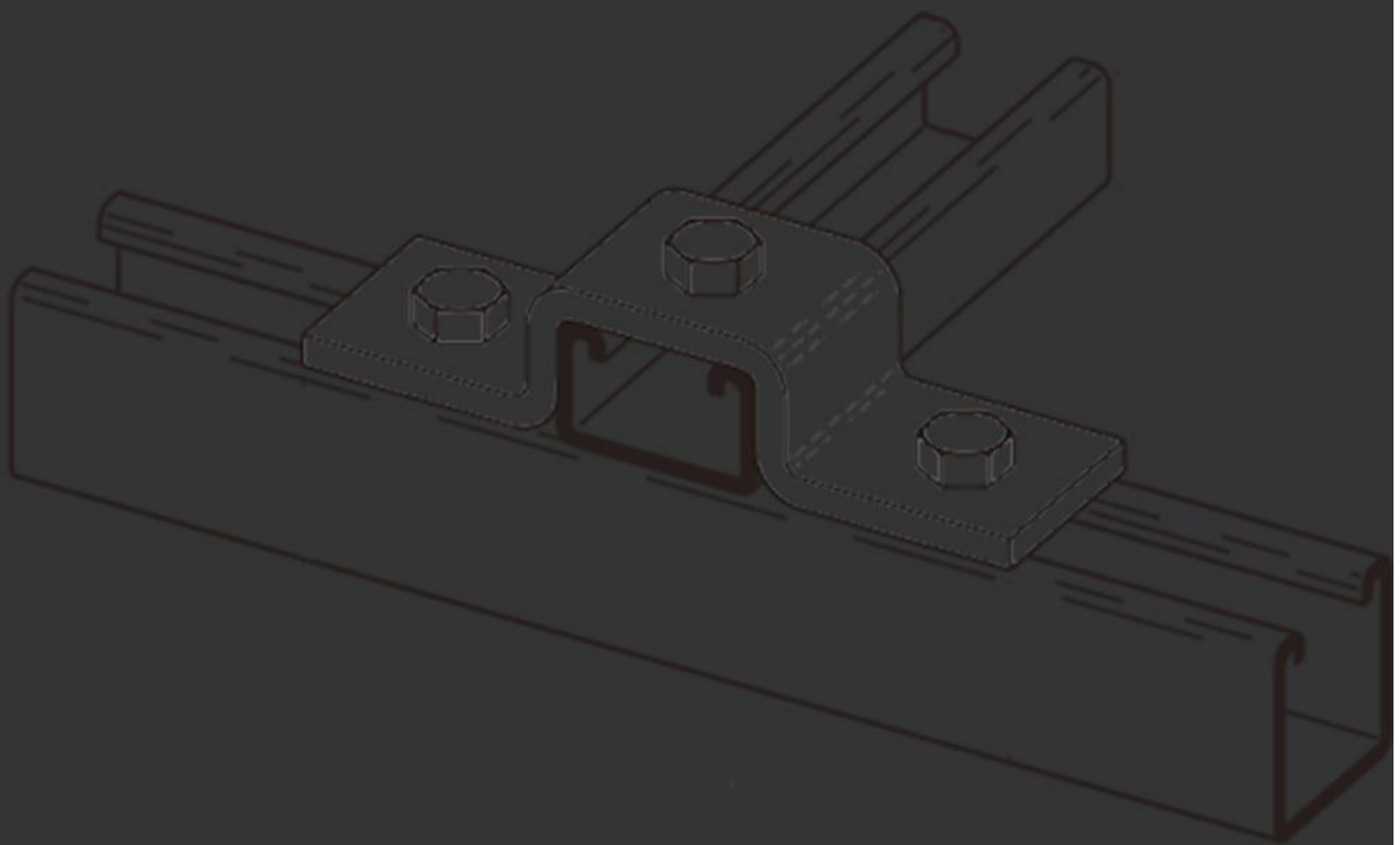


# STRUT FITTINGS

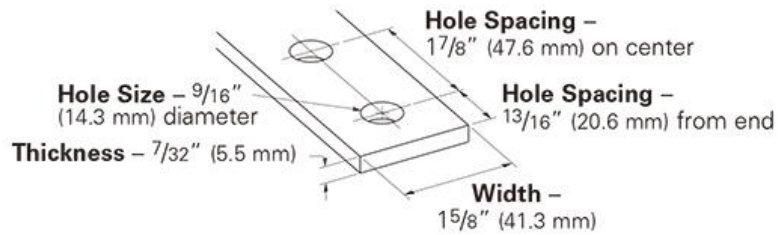


SSF INDUSTRIAL CO., LIMITED

T: +86 635 8638321 F: +86 635 8256206 [www.ssfwashers.com](http://www.ssfwashers.com)



This section offers a full selection of fittings and accessories to complete our strut system. Fittings are made from hot rolled, pickled and oiled plate or strip steel in accordance with ASTM A1018 33,000 PSI min. yield, unless noted.



### Materials & Finishes (Unless otherwise noted)

Finish Code	Finish	Specification
PLN	Plain	ASTM A1018 33,000 PSI min. yield
ZN	Electro-Plated Zinc	ASTM B633 SC3 Type III or ASTM A653
HDG	Hot-Dipped Galvanized	ASTM A123



### Flat Washer



Size Pcs.	Outside Diameter	Wt./100 pcs
$\frac{1}{4}$ "	$\frac{3}{4}$ "	0.7
$\frac{3}{8}$ "	1"	1.5
$\frac{1}{2}$ "	$1\frac{3}{8}$ "	3.9
$\frac{5}{8}$ "	$1\frac{3}{4}$ "	7.7
$\frac{3}{4}$ "	2"	11

### Fender Washer



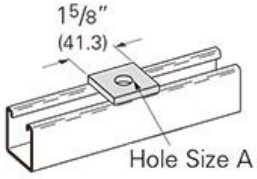
Size	Wt./100 pcs
$\frac{1}{4}$ "	3.3
$\frac{3}{8}$ "	3.0
$\frac{1}{2}$ "	2.8

### Metric

Metric dimensions are shown in parentheses. Unless noted, all metric dimensions are in millimeters.

## S200-S200-02

- Standard finishes: ZN, HDG

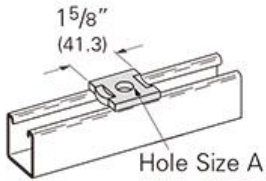


## SQUARE WASHER

Part No.	A		Bolt Size		Wt./C	
	In.	mm	In.	mm	Lbs.	kg
<b>S200</b>	3/8"	(9.5)	5/16"	(7.9)	18	(8.1)
<b>S201</b>	7/16"	(11.1)	3/8"	(9.5)	18	(8.1)
<b>S202</b>	9/16"	(14.2)	1/2"	(12.7)	17	(7.7)
<b>S202-1</b>	11/16"	(17.4)	5/8"	(15.9)	16	(7.2)
<b>S202-2</b>	13/16"	(20.6)	3/4"	(19.0)	15	(6.8)
<b>S202-3</b>	15/16"	(23.8)	7/8"	(22.2)	14	(6.3)

## S200D-S202-02D

- Standard finishes: ZN, HDG



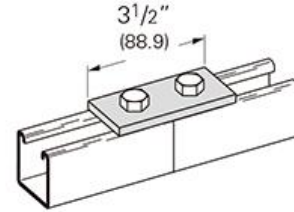
## NO TWIST SQUARE WASHER

Part No.	A		Bolt Size		Wt./C	
	In.	mm	In.	mm	Lbs.	kg
<b>S200D</b>	3/8"	(9.5)	5/16"	(7.9)	18	(8.1)
<b>S201D</b>	7/16"	(11.1)	3/8"	(9.5)	18	(8.1)
<b>S202D</b>	9/16"	(14.2)	1/2"	(12.7)	17	(7.7)
<b>S202-1D</b>	11/16"	(17.4)	5/8"	(15.9)	16	(7.2)
<b>S202-2D</b>	13/16"	(20.6)	3/4"	(19.0)	15	(6.8)

## S129

### Two Hole Splice Plate

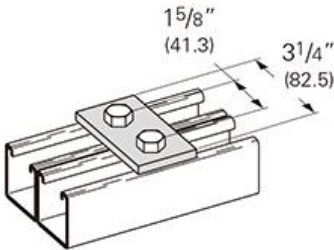
- Standard finishes: ZN, HDG
- Wt./C 37 Lbs. (16.8 kg)



## S340

### Two Hole Splice Plate

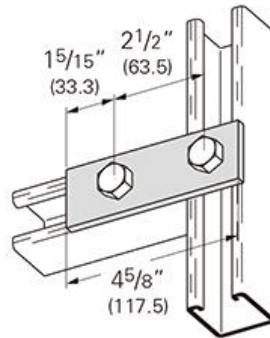
- Standard finishes: ZN, HDG
- Wt./C 34 Lbs. (15.4 kg)



## S528

### Two Hole Splice Plate

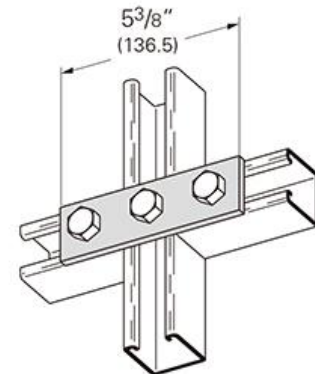
- Standard finishes: ZN, HDG
- Wt./C 50 Lbs. (22.7 kg)



## S141

### Three Hole Splice Plate

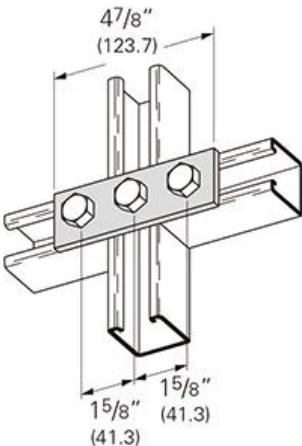
- Standard finishes: ZN, HDG
- Wt./C 55 Lbs. (24.9 kg)



## S557

### Three Hole Splice Plate

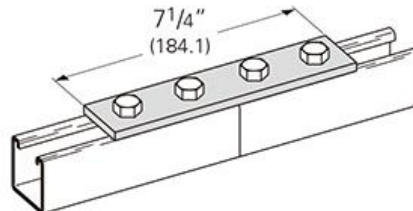
- Standard finishes: ZN, HDG
- Wt./C 50 Lbs. (22.7 kg)



## S341

### Four Hole Splice Plate

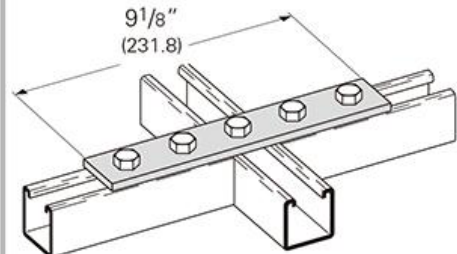
- Standard finishes: ZN, HDG
- Wt./C 76 Lbs. (34.5 kg)



## S342

### Five Hole Splice Plate

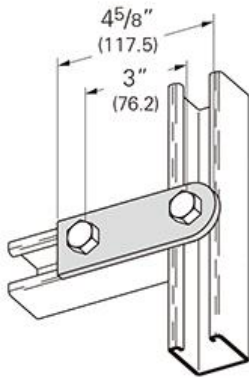
- Standard finishes: ZN, HDG
- Wt./C 96 Lbs. (43.5 kg)



## S138

### Two Hole Swivel Plate

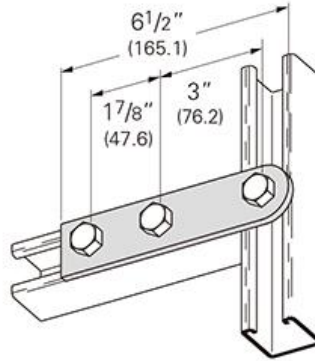
- Standard finishes: ZN
- Wt./C 48 Lbs. (21.8 kg)



## S139

### Three Hole Swivel Plate

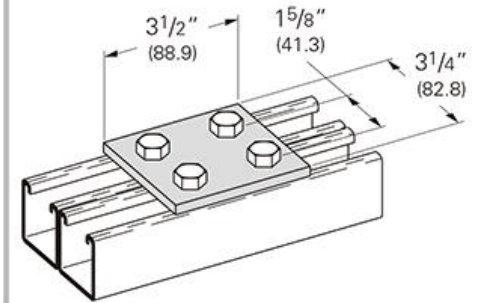
- Standard finishes: ZN
- Wt./C 69 Lbs. (31.3 kg)



## S504

### Four Hole Splice Plate

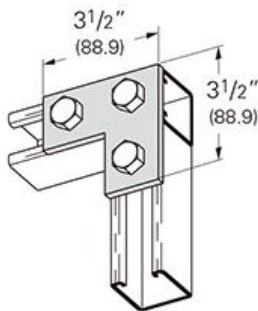
- Standard finishes: ZN
- Wt./C 73 Lbs. (33.1 kg)



## S140

### Three Hole Corner Plate

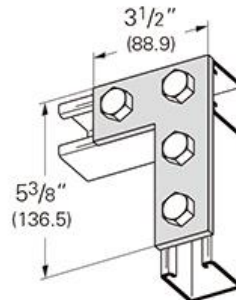
- Standard finishes: ZN, HDG
- Wt./C 56 Lbs. (25.4 kg)



## S143

### Four Hole Corner Plate

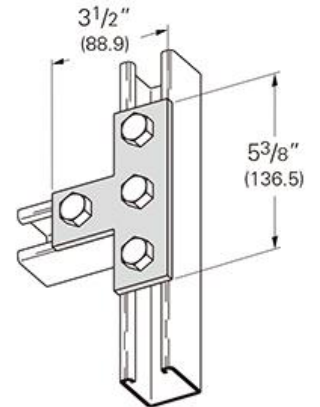
- Standard finishes: ZN, HDG
- Wt./C 75 Lbs. (34.0 kg)



## S133

### Four Hole Tee Plate

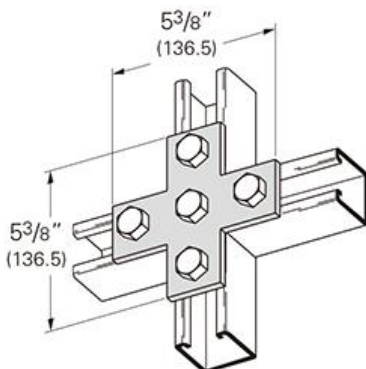
- Standard finishes: ZN, HDG
- Wt./C 75 Lbs. (34.0 kg)



## S132

### Five Hole Cross Plate

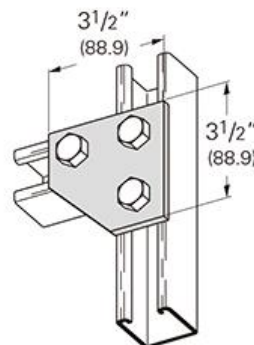
- Standard finishes: ZN, HDG
- Wt./C 100 Lbs. (45.3 kg)



## S135

### Three Hole Corner Gusset Plate

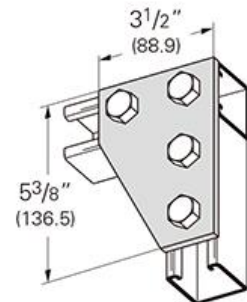
- Standard finishes: ZN
- Wt./C 70 Lbs. (31.7 kg)



## S142

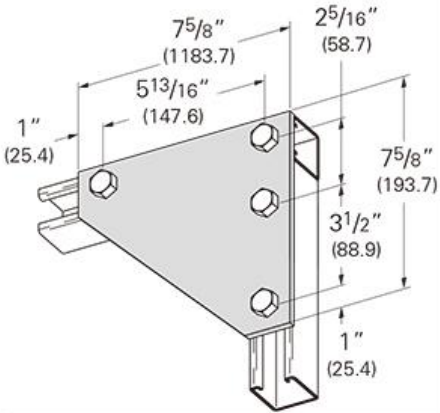
### Four Hole Corner Gusset Plate

- Standard finishes: ZN, HDG
- Wt./C 102 Lbs. (46.2 kg)



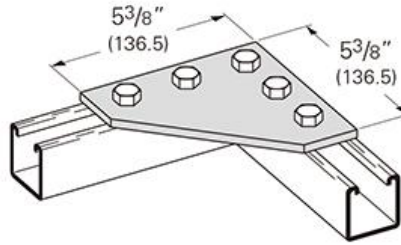
**S137**  
**Four Hole Corner Gusset Plate**

- Standard finishes: ZN
- Wt./C 273 Lbs. (123.8 kg)



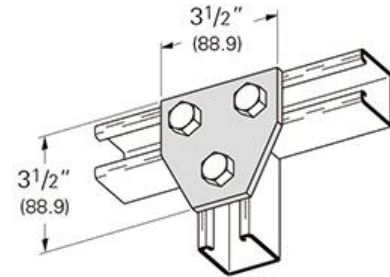
**S556**  
**Five Hole Corner Gusset Plate**

- Standard finishes: ZN
- Wt./C 145 Lbs. (65.8 kg)



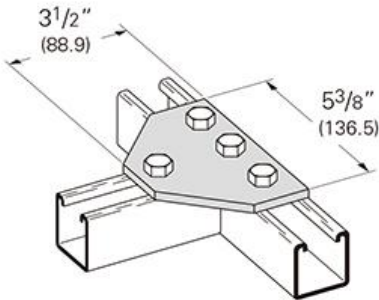
**S337**  
**Three Hole Tee Gusset Plate**

- Standard finishes: ZN
- Wt./C 70 Lbs. (31.7 kg)



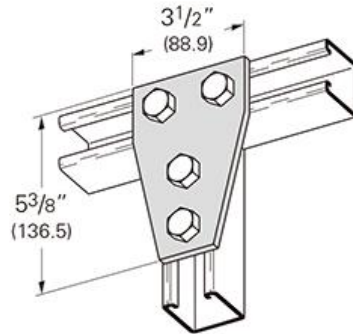
**S432**  
**Four Hole Tee Gusset Plate**

- Standard finishes: ZN
- Wt./C 100 Lbs. (45.3 kg)



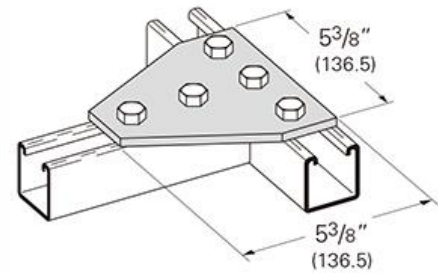
**S136**  
**Four Hole Tee Gusset Plate**

- Standard finishes: ZN, HDG
- Wt./C 100 Lbs. (45.3 kg)



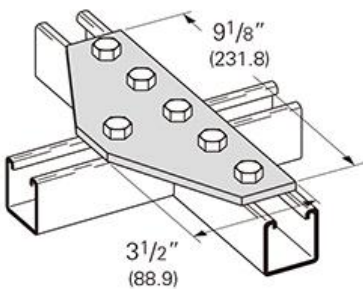
**S532**  
**Five Hole Tee Gusset Plate**

- Standard finishes: ZN
- Wt./C 143 Lbs. (64.8 kg)



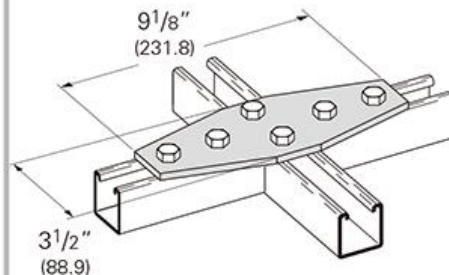
**S339**  
**Six Hole Tee Gusset Plate**

- Standard finishes: ZN
- Wt./C 149 Lbs. (67.6 kg)



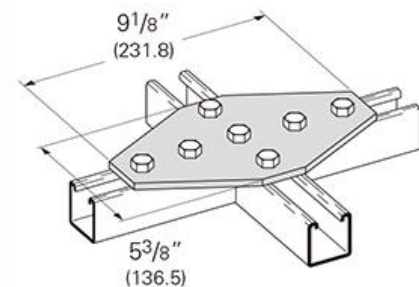
**S568**  
**Six Hole Cross Gusset Plate**

- Standard finishes: ZN
- Wt./C 166 Lbs. (75.3 kg)



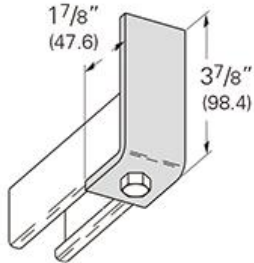
**S334**  
**Seven Hole Cross Gusset Plate**

- Standard finishes: ZN
- Wt./C 232 Lbs. (105.2 kg)



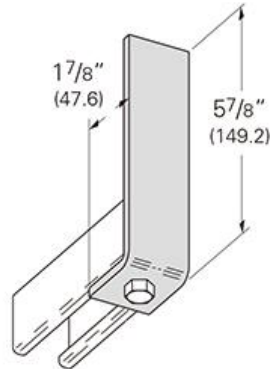
**S420-378**  
One Hole Corner Angle

- Standard finishes: ZN
- Wt./C 60 Lbs. (27.2 kg)



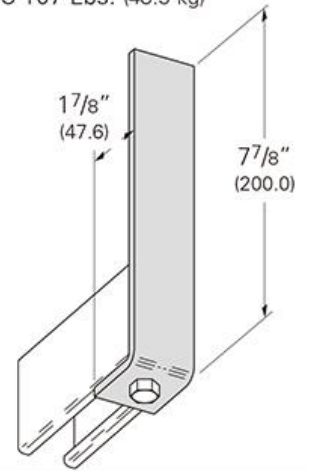
**S420-578**  
One Hole Corner Angle

- Standard finishes: ZN
- Wt./C 85 Lbs. (38.5 kg)



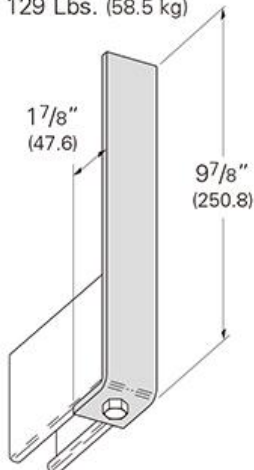
**S420-778**  
One Hole Corner Angle

- Standard finishes: ZN
- Wt./C 107 Lbs. (48.5 kg)



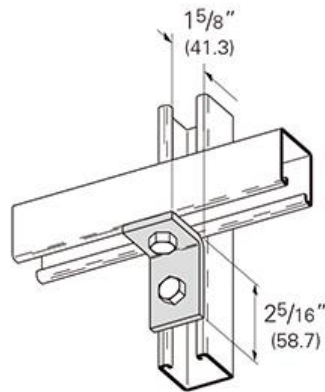
**S420-978**  
One Hole Corner Angle

- Standard finishes: ZN
- Wt./C 129 Lbs. (58.5 kg)



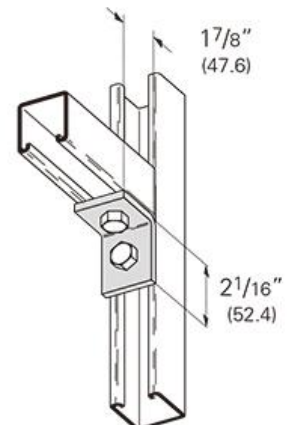
**S101**  
Two Hole Corner Angle

- Standard finishes: ZN, HDG
- Wt./C 37 Lbs. (16.8 kg)



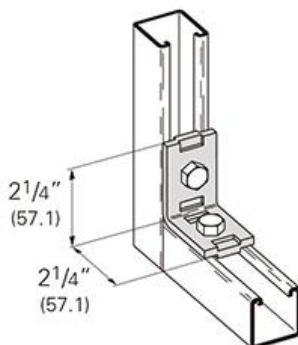
**S230**  
Two Hole Corner Angle

- Standard finishes: ZN, HDG
- Wt./C 37 Lbs. (16.8 kg)



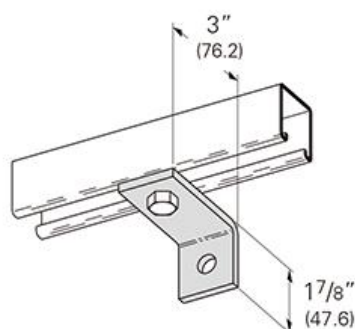
**S231**  
Two Hole "No-Twist"  
Corner Angle

- Standard finishes: ZN, HDG
- Wt./C 41 Lbs. (18.6 kg)



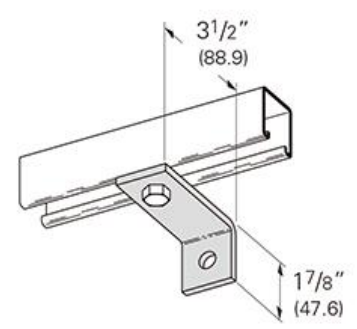
**S359**  
Two Hole Corner Angle

- Standard finishes: ZN
- Wt./C 48 Lbs. (21.8 kg)



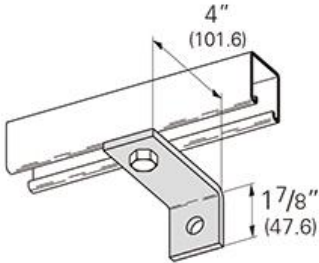
**S360**  
Two Hole Corner Angle

- Standard finishes: ZN
- Wt./C 53 Lbs. (24.0 kg)



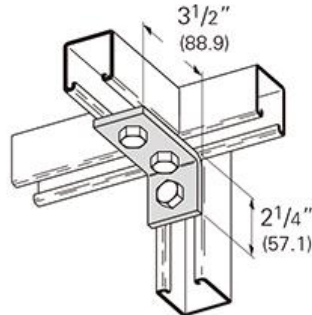
**S361**  
**Two Hole Corner Angle**

- Standard finishes: ZN
- Wt./C 60 Lbs. (27.2 kg)



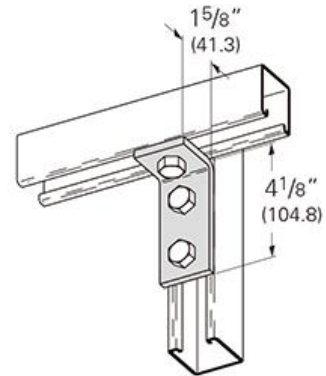
**S102**  
**Three Hole Corner Angle**

- Standard finishes: ZN, HDG
- Wt./C 56 Lbs. (25.4 kg)



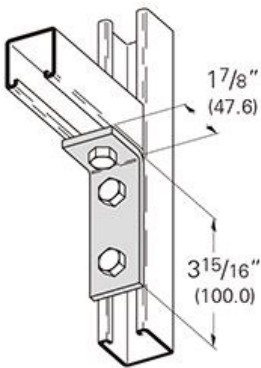
**S103**  
**Three Hole Corner Angle**

- Standard finishes: ZN, HDG
- Wt./C 56 Lbs. (25.4 kg)



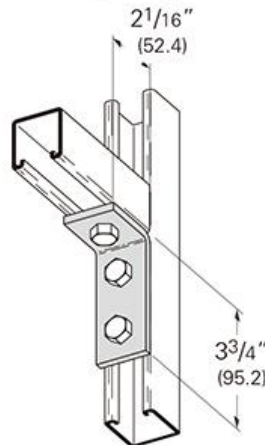
**S232**  
**Three Hole Corner Angle**

- Standard finishes: ZN, HDG
- Wt./C 56 Lbs. (25.4 kg)



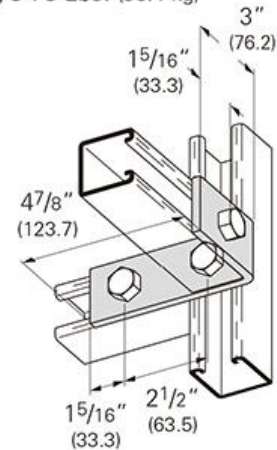
**S374**  
**Three Hole Corner Angle**

- Standard finishes: ZN, HDG
- Wt./C 56 Lbs. (25.4 kg)



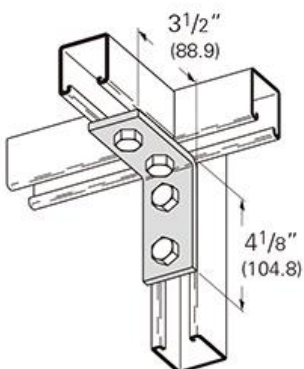
**S529**  
**Three Hole Corner Angle**

- Standard finishes: ZN
- Wt./C 78 Lbs. (35.4 kg)



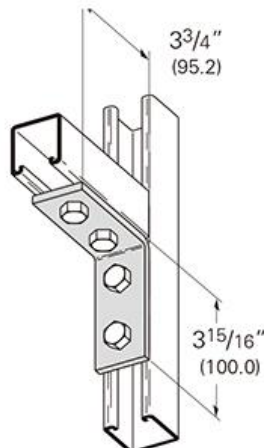
**S104**  
**Four Hole Corner Angle**

- Standard finishes: ZN, HDG
- Wt./C 78 Lbs. (35.4 kg)



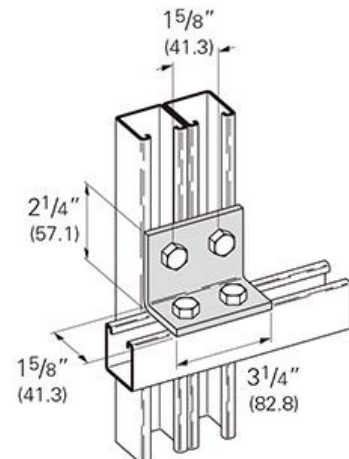
**S115**  
**Four Hole Corner Angle**

- Standard finishes: ZN, HDG
- Wt./C 76 Lbs. (34.5 kg)



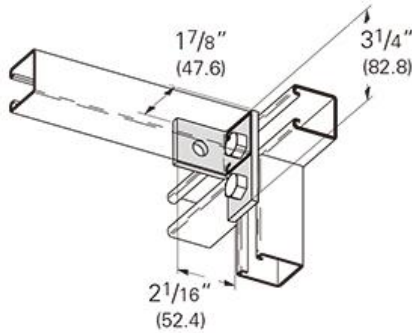
**S558**  
**Four Hole Corner Angle**

- Standard finishes: ZN
- Wt./C 73 Lbs. (33.1 kg)



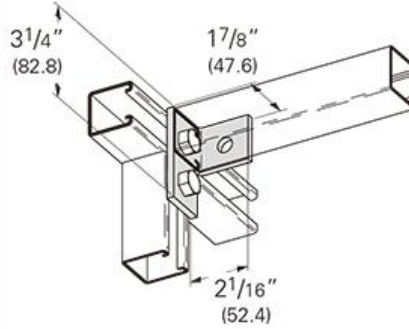
**B235R**  
**Three Hole (Right Hand) Offset Bent Angle**

- 1<sup>5</sup>/<sub>8</sub>" (41.3) from center to center of the holes that are shown with bolt heads
- Standard finishes: ZN
- Wt./C 53 Lbs. (24.0 kg)



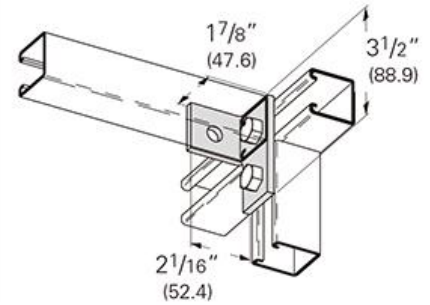
**B235L**  
**Three Hole (Left Hand) Offset Bent Angle**

- 1<sup>5</sup>/<sub>8</sub>" (41.3) from center to center of the holes that are shown with bolt heads
- Standard finishes: ZN
- Wt./C 53 Lbs. (24.0 kg)



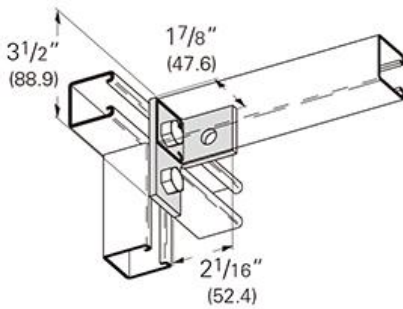
**B236R**  
**Three Hole (Right Hand) Offset Bent Angle**

- Standard finishes: ZN
- Wt./C 65 Lbs. (29.5 kg)



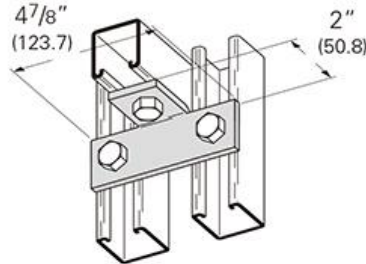
**B236L**  
**Three Hole (Left Hand) Offset Bent Angle**

- Standard finishes: ZN
- Wt./C 65 Lbs. (29.5 kg)



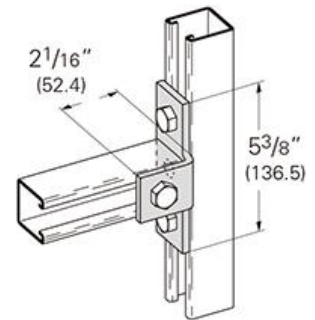
**B237**  
**Three Hole Offset Bent Tee**

- Standard finishes: ZN
- Wt./C 71 Lbs. (32.2 kg)



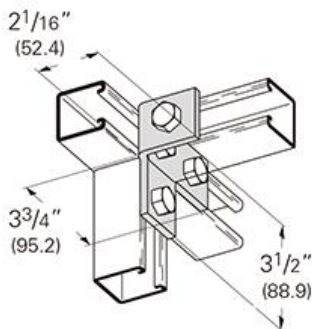
**B357**  
**Four Hole Offset Bent Tee**

- Standard finishes: ZN
- Wt./C 77 Lbs. (34.9 kg)



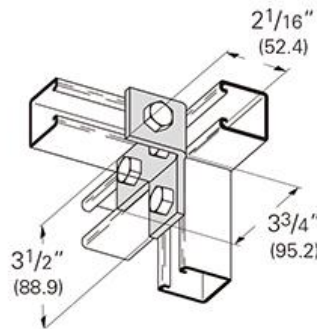
**B238R**  
**Four Hole (Right Hand) Offset Bent Tee**

- Standard finishes: ZN
- Wt./C 76 Lbs. (34.5 kg)



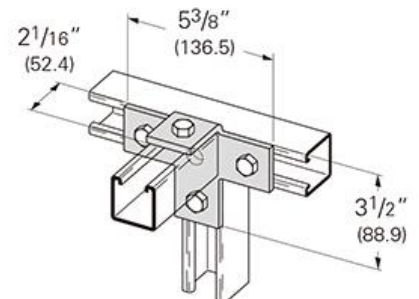
**B238L**  
**Four Hole (Left Hand) Offset Bent Tee**

- Standard finishes: ZN
- Wt./C 76 Lbs. (34.5 kg)



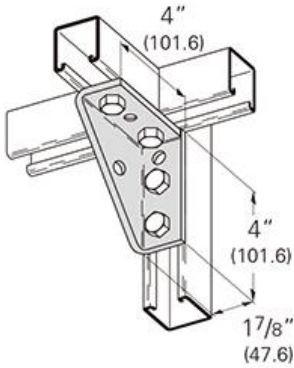
**B239**  
**Five Hole Offset Bent Tee**

- Standard finishes: ZN
- Wt./C 96 Lbs. (43.5 kg)

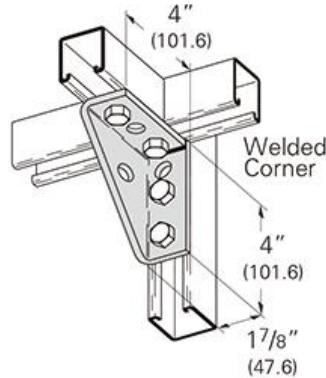




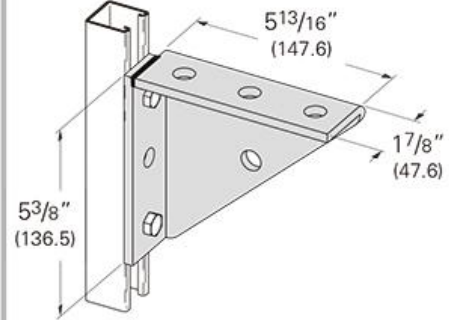
**S844**  
**Universal Shelf Bracket**  
 • Standard finishes: ZN, HDG  
 • Wt./C 132 Lbs. (59.9 kg)



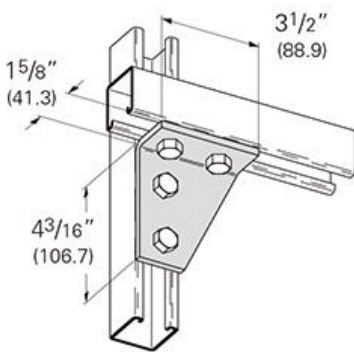
**S844W**  
**Universal Shelf Bracket - Welded**  
 • Standard finishes: ZN  
 • Wt./C 134 Lbs. (60.8 kg)



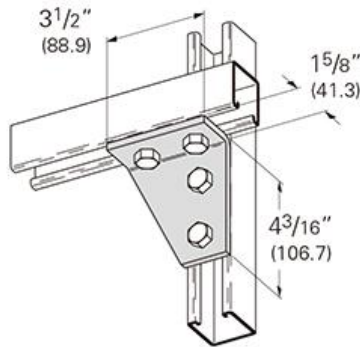
**S888W**  
**Universal Shelf Bracket - Welded**  
 • Standard finishes: ZN  
 • Wt./C 197 Lbs. (89.4 kg)



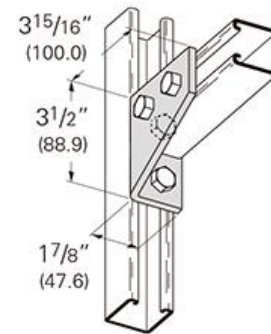
**S234R**  
**Four Hole (Right Hand) Corner Gusset**  
 • Standard finishes: ZN, HDG  
 • Wt./C 100 Lbs. (45.3 kg)



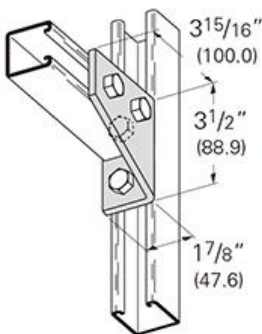
**S234L**  
**Four Hole (Left Hand) Corner Gusset**  
 • Standard finishes: ZN, HDG  
 • Wt./C 100 Lbs. (45.3 kg)



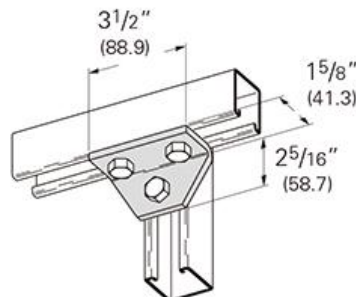
**S134R**  
**Four Hole (Right Hand) Corner Gusset**  
 • Standard finishes: ZN  
 • Wt./C 100 Lbs. (45.3 kg)



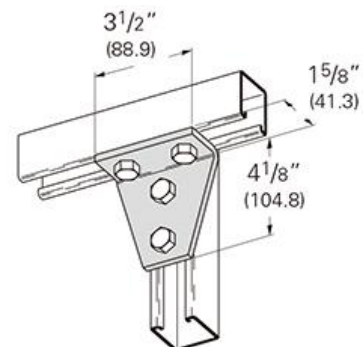
**S134L**  
**Four Hole (Left Hand) Corner Gusset**  
 • Standard finishes: ZN  
 • Wt./C 100 Lbs. (45.3 kg)



**S125**  
**Three Hole Gussetted Shelf Angle**  
 • Standard finishes: ZN  
 • Wt./C 67 Lbs. (30.4 kg)

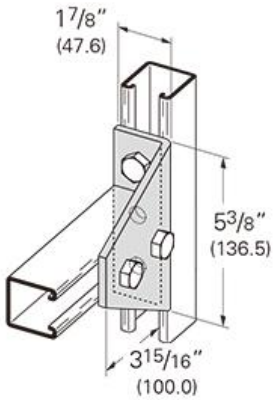


**S118**  
**Four Hole Gussetted Shelf Angle**  
 • Standard finishes: ZN, HDG  
 • Wt./C 102 Lbs. (46.2 kg)



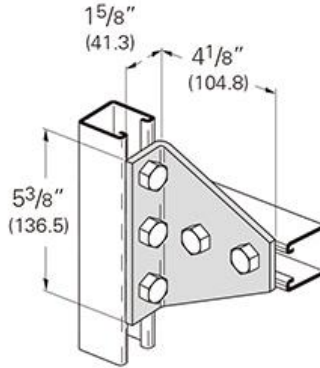
**S485**  
**Four Hole Gussetted Shelf Angle**

- Standard finishes: ZN
- Wt./C 148 Lbs. (67.1 kg)



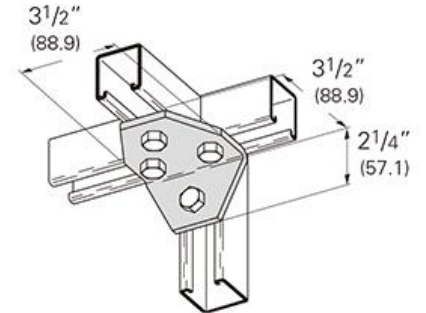
**S533**  
**Five Hole Gussetted Shelf Angle**

- Standard finishes: ZN
- Wt./C 141 Lbs. (63.9 kg)



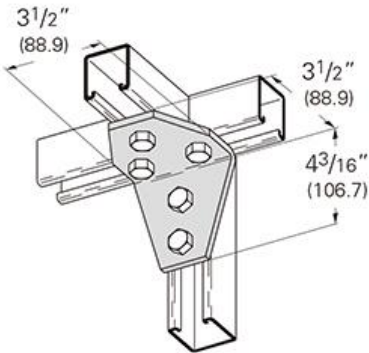
**S126**  
**Four Hole Gussetted Three Way Shelf Angle**

- Standard finishes: ZN
- Wt./C 101 Lbs. (45.8 kg)



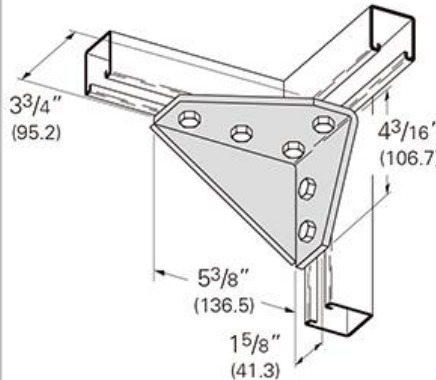
**S127**  
**Five Hole Gussetted Three Way Shelf Angle**

- Standard finishes: ZN
- Wt./C 135 Lbs. (61.2 kg)



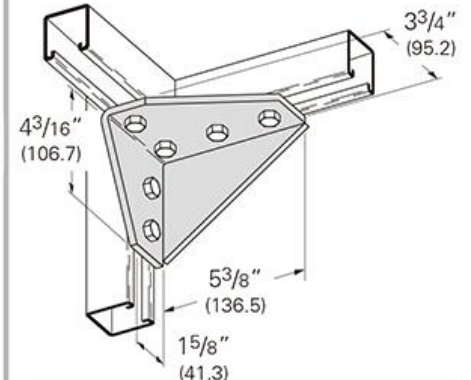
**S503R**  
**Six Hole (Right Hand) Gussetted Corner Connection**

- Standard finishes: ZN
- Wt./C 229 Lbs. (103.9 kg)



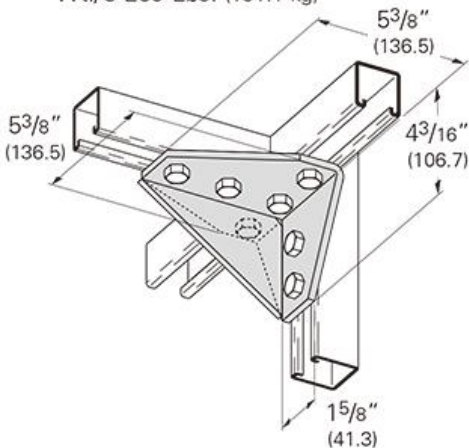
**S503L**  
**Six Hole (Left Hand) Gussetted Corner Connection**

- Standard finishes: ZN
- Wt./C 229 Lbs. (103.9 kg)



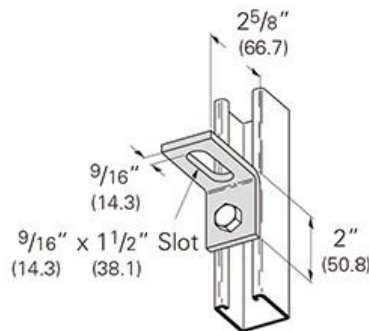
**S663**  
**Seven Hole Gussetted Corner Connection**

- Standard finishes: ZN
- Wt./C 289 Lbs. (131.1 kg)



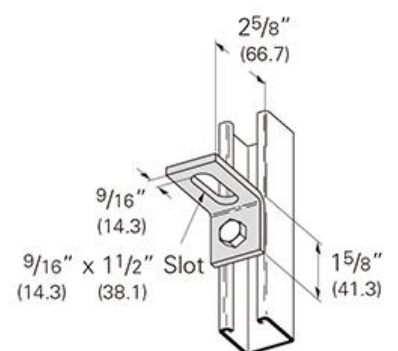
**S371**  
**Two Hole Adjustable Corner Angle**

- Standard finishes: ZN
- Wt./C 41 Lbs. (18.6 kg)



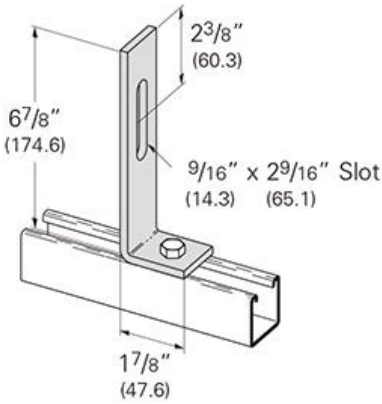
**S372**  
**Two Hole Adjustable Corner Angle**

- Standard finishes: ZN
- Wt./C 38 Lbs. (17.2 kg)



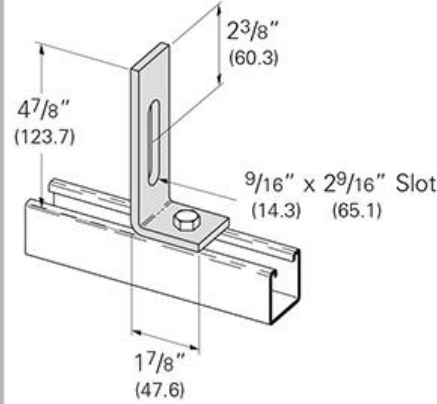
**S496**  
**Two Hole Adjustable**  
**Corner Angle**

- Standard finishes: ZN
- Wt./C 85 Lbs. (38.5 kg)



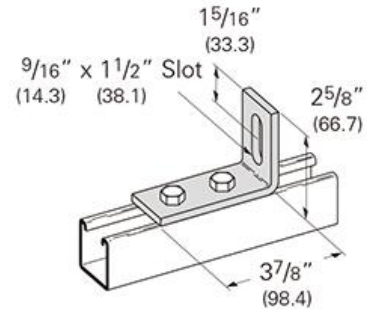
**S496-1**  
**Two Hole Adjustable**  
**Corner Angle**

- Standard finishes: ZN, HDG
- Wt./C 58 Lbs. (26.3 kg)



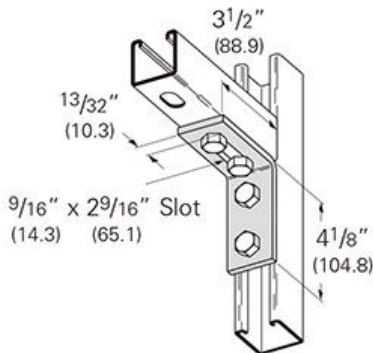
**S371-2**  
**Three Hole Adjustable**  
**Corner Angle**

- Standard finishes: ZN
- Wt./C 61 Lbs. (27.6 kg)



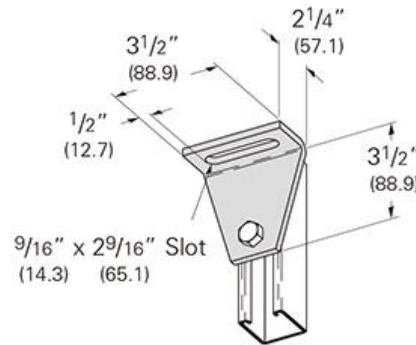
**S104SH**  
**Three Hole Adjustable**  
**Corner Angle**

- Standard finishes: ZN
- Wt./C 68 Lbs. (30.8 kg)



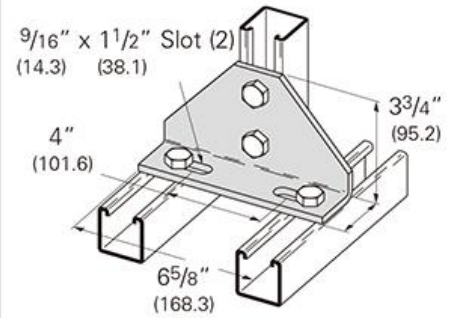
**S461**  
**Two Hole Adjustable**  
**Corner Angle**

- Standard finishes: ZN
- Wt./C 87 Lbs. (39.4 kg)



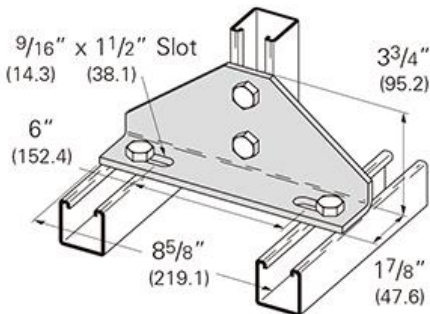
**S112**  
**Four Hole Adjustable**  
**Corner Angle**

- Standard finishes: ZN
- Wt./C 180 Lbs. (81.6 kg)



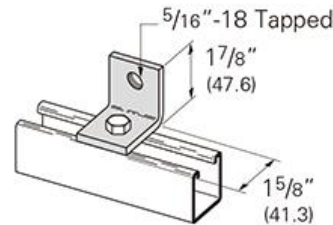
**S113**  
**Four Hole Adjustable**  
**Corner Angle**

- Standard finishes: ZN
- Wt./C 256 Lbs. (116.1 kg)



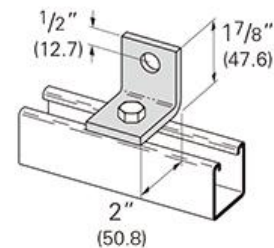
**S109S**  
**Two Hole Tapped**  
**Corner Angle**

- Standard finishes: ZN
- Wt./C 33 Lbs. (14.9 kg)



**S521**  
**Two Hole Bus Duct**  
**Angle**

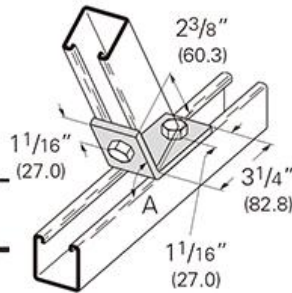
- Standard finishes: ZN
- Wt./C 37 Lbs. (16.8 kg)



## S147-S152 Two Hole Open Angle

- Standard finishes: ZN

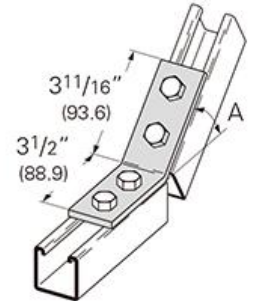
Part No.	A	Wt./C	
		Lbs.	kg
S147	82 <sup>1</sup> / <sub>2</sub> °	63	(28.6)
S148	75°		
S149	67 <sup>1</sup> / <sub>2</sub> °		
S150	60°		
S151	52 <sup>1</sup> / <sub>2</sub> °		
S152	37 <sup>1</sup> / <sub>2</sub> °		



## S243-S253 Four Hole Open Angle

- Standard finishes: ZN

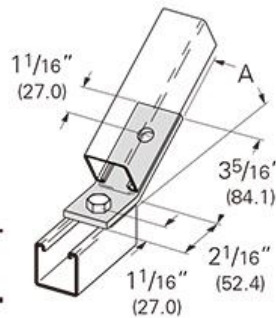
Part No.	A	Wt./C	
		Lbs.	kg
S243	7 <sup>1</sup> / <sub>2</sub> °	77	(34.9)
S244	15°		
S245	22 <sup>1</sup> / <sub>2</sub> °		
S246	30°		
S247	37 <sup>1</sup> / <sub>2</sub> °		
S248	45°		
S249	52 <sup>1</sup> / <sub>2</sub> °		
S250	60°		
S251	67 <sup>1</sup> / <sub>2</sub> °		
S252	75°		
S253	82 <sup>1</sup> / <sub>2</sub> °		



## S162-S165 Two Hole Open Angle

- Standard finishes: ZN

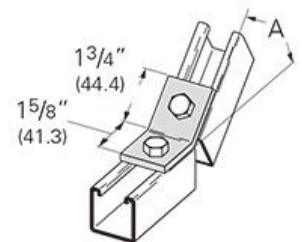
Part No.	A	Wt./C	
		Lbs.	kg
S162	30°	59	(26.7)
S163	22 <sup>1</sup> / <sub>2</sub> °		
S164	15°		
S165	7 <sup>1</sup> / <sub>2</sub> °		



## S322-S332 Two Hole Open Short Angle

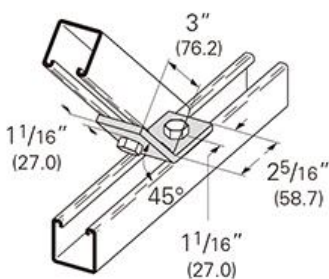
- Standard finishes: ZN

Part No.	A	Wt./C	
		Lbs.	kg
S322	7 <sup>1</sup> / <sub>2</sub> °	35	(15.9)
S323	15°		
S324	22 <sup>1</sup> / <sub>2</sub> °		
S325	30°		
S326	37 <sup>1</sup> / <sub>2</sub> °		
S327	45°		
S328	52 <sup>1</sup> / <sub>2</sub> °		
S329	60°		
S330	67 <sup>1</sup> / <sub>2</sub> °		
S331	75°		
S332	82 <sup>1</sup> / <sub>2</sub> °		



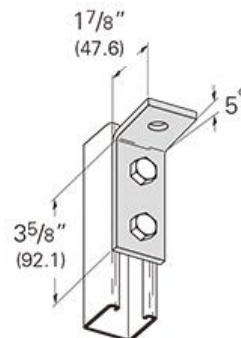
## S154 Two Hole Open Angle

- Standard finishes: ZN
- Wt./C 58 Lbs. (26.3 kg)



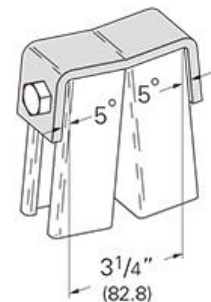
## S522 Three Hole 95° Open Angle Fitting

- Standard finishes: ZN
- Wt./C 54 Lbs. (24.5 kg)



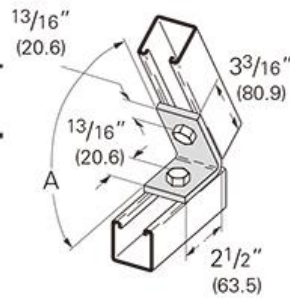
## S488 Two Hole Leg Connection

- Standard finishes: ZN
- Wt./C 100 Lbs. (45.3 kg)

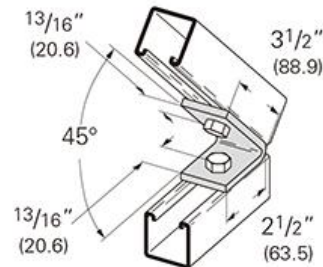


**S156-S161**  
**Two Hole Closed Angle**  
 • Standard finishes: ZN

Part No.	A	Wt./C	
		Lbs.	kg
<b>S156</b>	82 <sup>1</sup> / <sub>2</sub> °	56	(25.4)
<b>S157</b>	75°		
<b>S158</b>	67 <sup>1</sup> / <sub>2</sub> °		
<b>S159</b>	60°		
<b>S160</b>	52 <sup>1</sup> / <sub>2</sub> °		
<b>S161</b>	37 <sup>1</sup> / <sub>2</sub> °		

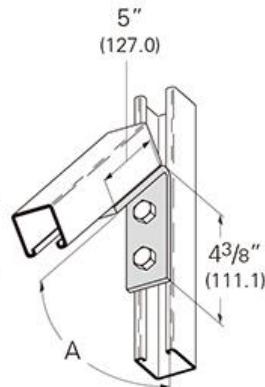


**S155**  
**Two Hole Closed Angle**  
 • Standard finishes: ZN, HDG  
 • Wt./C 63 Lbs. (28.6 kg)

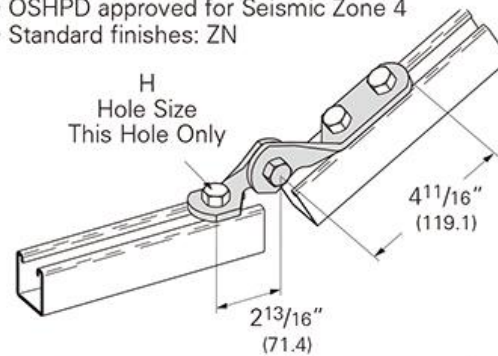


**S363-369**  
**Four Hole Closed Angle**  
 • Standard finishes: ZN

Part No.	A	Wt./C	
		Lbs.	kg
<b>S363</b>	82 <sup>1</sup> / <sub>2</sub> °	95	(43.1)
<b>S364</b>	75°		
<b>S365</b>	67 <sup>1</sup> / <sub>2</sub> °		
<b>S366</b>	60°		
<b>S367</b>	52 <sup>1</sup> / <sub>2</sub> °		
<b>S368</b>	45°		
<b>S369</b>	37 <sup>1</sup> / <sub>2</sub> °		

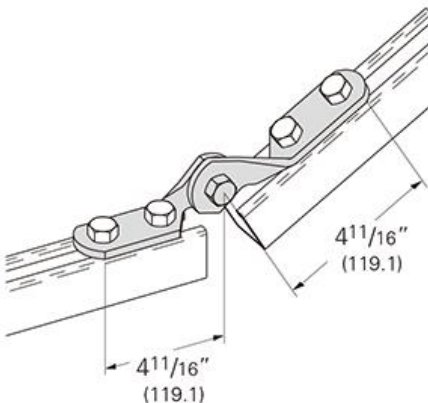


**S335-2 SERIES**  
**Three Hole Adjustable Hinge**  
 • OSHPD approved for Seismic Zone 4  
 • Standard finishes: ZN



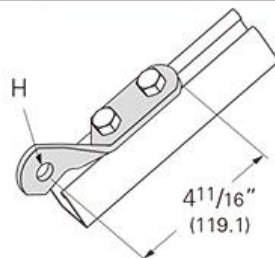
Part No. & Size	Hole Size H		Wt./C	
	In.	mm	Lbs.	kg
<b>S335-2-3/8</b>	7/16"	(11.1)	96	(43.2)
<b>S335-2-1/2</b>	9/16"	(14.3)	94	(42.3)
<b>S335-2-5/8</b>	11/16"	(17.4)	92	(41.4)
<b>S335-2-3/4</b>	13/16"	(20.6)	90	(40.5)

**S335**  
**Four Hole Adjustable Hinge**  
 • Standard finishes: ZN  
 • Wt./C 110 Lbs. (49.9 kg)

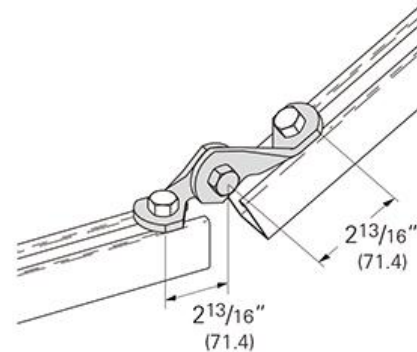


**S335V**  
**Three Hole Half Hinge**  
 • Standard finishes: ZN,

Part No. & Size	Hole Size H		Wt./C	
	In.	mm	Lbs.	kg
<b>S335V-1/2</b>	9/16"	(14.3)	53	(24.1)
<b>S335V-5/8</b>	11/16"	(17.4)	54	(24.5)
<b>S335V-3/4</b>	13/16"	(20.6)	55	(24.9)

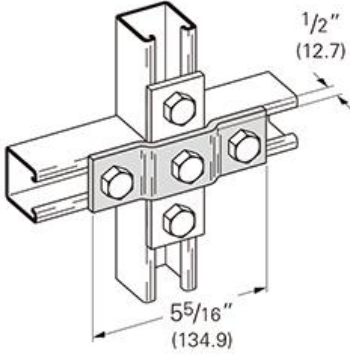


**S335-1**  
**Two Hole Adjustable Hinge**  
 • Standard finishes: ZN  
 • Wt./C 78 Lbs. (35.4 kg)



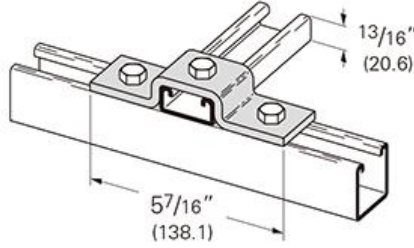
**S527**  
**Three Hole Offset Plate Connection**

- Standard finishes: ZN
- Wt./C 54 Lbs. (24.5 kg)



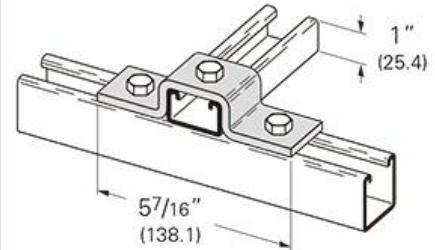
**S116-52**  
**Three Hole U-Support**

- Standard finishes: ZN
- Wt./C 70 Lbs. (31.7 kg)



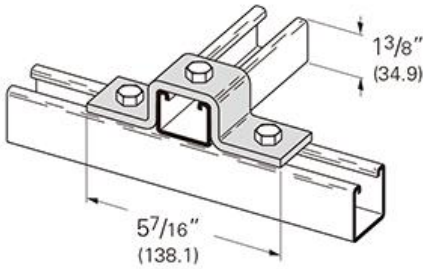
**S116-42**  
**Three Hole U-Support**

- Standard finishes: ZN
- Wt./C 75 Lbs. (34.0 kg)



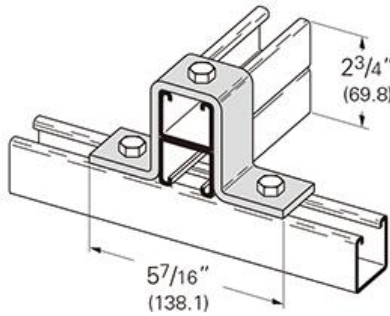
**S116-32**  
**Three Hole U-Support**

- Standard finishes: ZN
- Wt./C 84 Lbs. (38.1 kg)



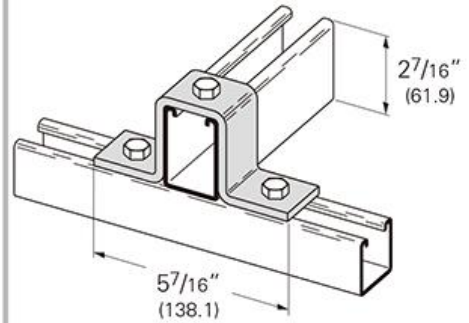
**S116-32A**  
**Three Hole U-Support**

- Standard finishes: ZN
- Wt./C 116 Lbs. (52.6 kg)



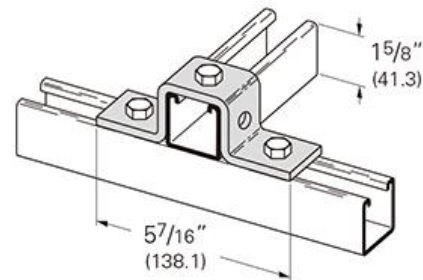
**S116-12**  
**Three Hole U-Support**

- Standard finishes: ZN
- Wt./C 108 Lbs. (49.0 kg)



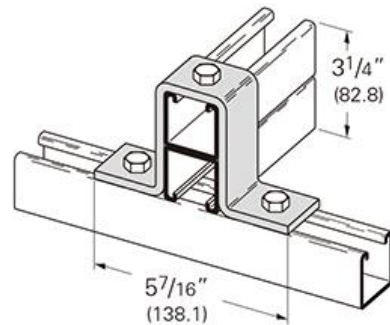
**S107**  
**Five Hole U-Support**

- Standard finishes: ZN, HDG
- Wt./C 85 Lbs. (38.5 kg)



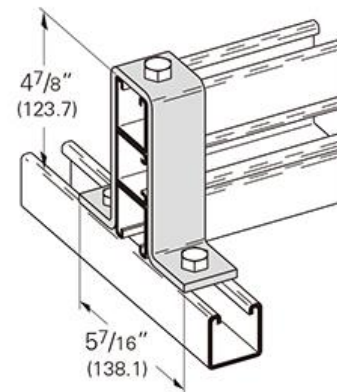
**S107-22A**  
**Three Hole U-Support**

- Standard finishes: ZN
- Wt./C 126 Lbs. (57.1 kg)



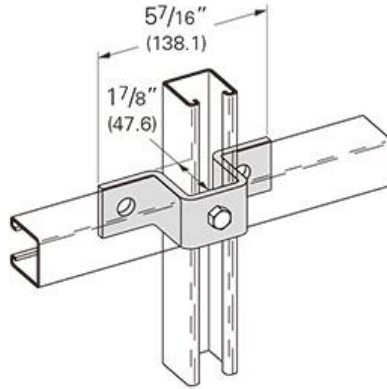
**S588**  
**Three Hole U-Support**

- Standard finishes: ZN
- Wt./C 157 Lbs. (71.2 kg)



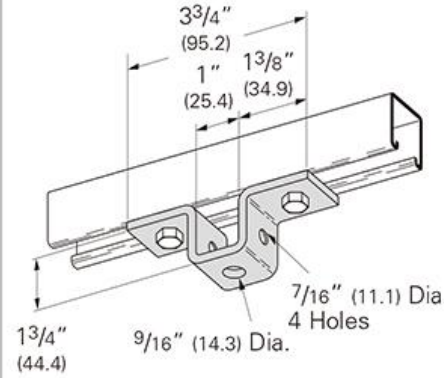
**S412**  
**Three Hole**  
**Offset U-Support**

- Standard finishes: ZN
- Wt./C 89 Lbs. (40.3 kg)



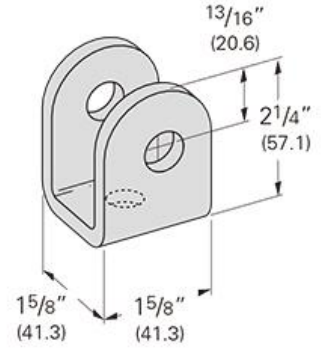
**S107S**  
**Five Hole U-Support**

- Material: 7 Gauge (4.5)  
ASTM A1011 33,000 PSI min. yield
- Standard finishes: ZN
- Wt./C 51 Lbs. (23.1 kg)



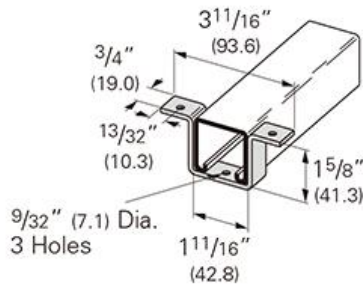
**S596**  
**Three Hole Swivel Clevis**

- Material: 7 Gauge (4.5)
- Standard finishes: ZN
- Wt./C 53 Lbs. (24.0 kg)



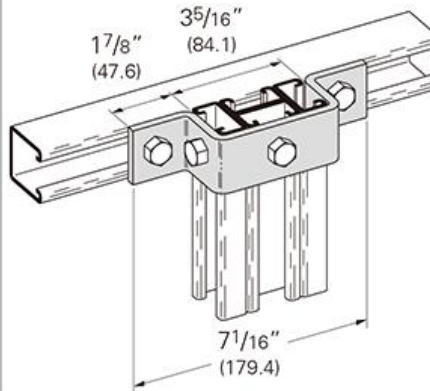
**S578**  
**Three Hole Light-Weight**  
**U-Support**

- Material: 10 Gauge (3.4)  
ASTM A1011 HSLAS Gr. 50
- Standard finishes: ZN
- Wt./C 18 Lbs. (8.1 kg)



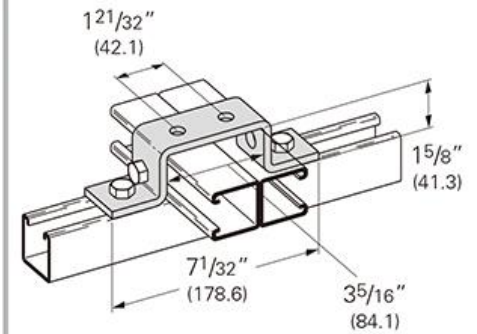
**S594**  
**Five Hole U-Support**

- Standard finishes: ZN
- Wt./C 106 Lbs. (48.1 kg)



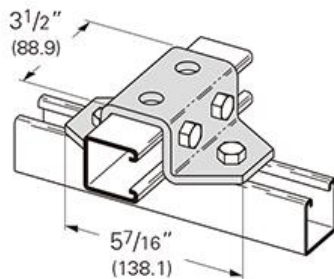
**S266**  
**Six Hole U-Support**

- Standard finishes: ZN
- Wt./C 105 Lbs. (47.6 kg)



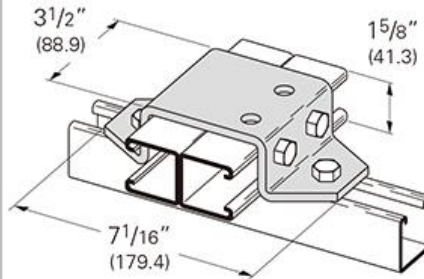
**S425**  
**Six Hole U-Support**

- Standard finishes: ZN
- Wt./C 167 Lbs. (75.7 kg)



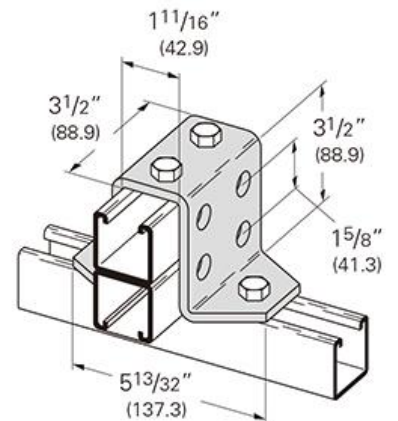
**S581**  
**Eight Hole U-Support**

- Standard finishes: ZN
- Wt./C 201 Lbs. (91.2 kg)



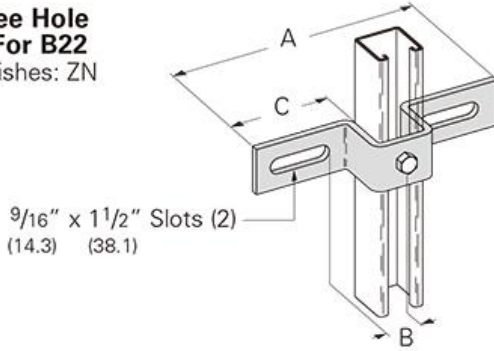
**S519**  
**Eight Hole U-Support**

- Standard finishes: ZN
- Wt./C 266 Lbs. (102.5 kg)



### S333 Slotted Three Hole U-Support For B22

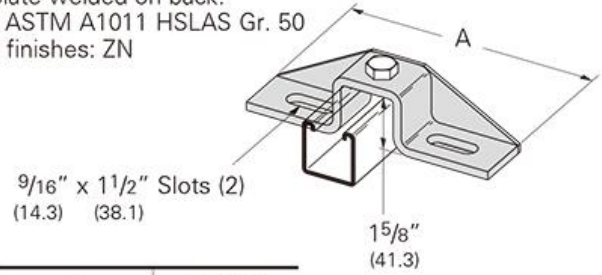
- Standard finishes: ZN



Part No.	A		B		C		Wt./C	
	In.	mm	In.	mm	In.	mm	Lbs.	kg
<b>S333-1</b>	7 <sup>1</sup> / <sub>2</sub> "	(190.5)	1 <sup>5</sup> / <sub>16</sub> "	(33.3)	2 <sup>7</sup> / <sub>8</sub> "	(73.0)	103	(46.7)
<b>S333-2</b>	8 <sup>1</sup> / <sub>2</sub> "	(215.9)	1 <sup>15</sup> / <sub>16</sub> "	(49.2)	3 <sup>3</sup> / <sub>8</sub> "	(85.7)	115	(52.1)
<b>S333-3</b>	10 <sup>3</sup> / <sub>8</sub> "	(263.5)	2 <sup>7</sup> / <sub>8</sub> "	(73.0)	4 <sup>5</sup> / <sub>16</sub> "	(109.5)	135	(61.2)

### S451 Slotted Three Hole U-Support With Gusset For B22

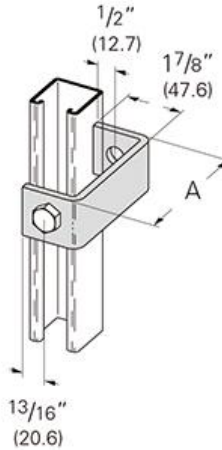
- Consists of B333-1, 2, or 3 with gusset plate welded on back.
- Material: ASTM A1011 HSLAS Gr. 50
- Standard finishes: ZN



Part No.	A		Wt./C	
	In.	mm	Lbs.	kg
<b>S451-1</b>	7 <sup>1</sup> / <sub>2</sub> "	(190.5)	137	(62.1)
<b>S451-2</b>	8 <sup>1</sup> / <sub>2</sub> "	(215.9)	156	(70.7)
<b>S451-3</b>	10 <sup>3</sup> / <sub>8</sub> "	(263.5)	172	(78.0)

### S408 Two Hole Bus Duct Clevis

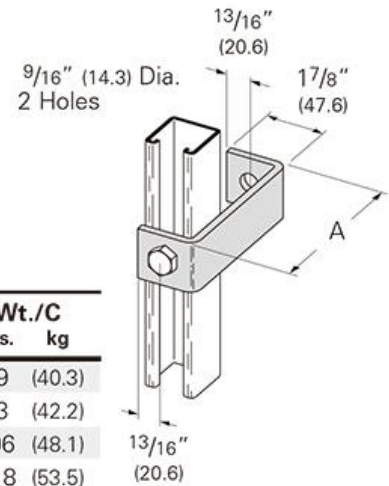
- Standard finishes: ZN



Part No.	A		Wt./C	
	In.	mm	Lbs.	kg
<b>S408-1</b>	2 <sup>13</sup> / <sub>32</sub> "	(61.1)	58	(26.3)
<b>S408-2</b>	3 <sup>25</sup> / <sub>32</sub> "	(96.0)	76	(34.5)
<b>S408-3</b>	4 <sup>3</sup> / <sub>4</sub> "	(762.0)	88	(39.9)

### S358 Two Hole Clevis

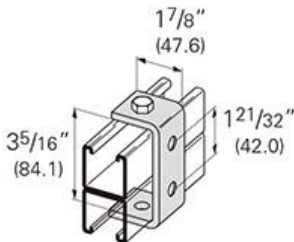
- Standard finishes: ZN



Part No.	A		Wt./C	
	In.	mm	Lbs.	kg
<b>S358-4</b>	4"	(101.6)	89	(40.3)
<b>S358-5</b>	5"	(127.0)	93	(42.2)
<b>S358-6</b>	6"	(152.4)	106	(48.1)
<b>S358-7</b>	7"	(177.8)	118	(53.5)
<b>S358-8</b>	8"	(203.2)	132	(59.9)

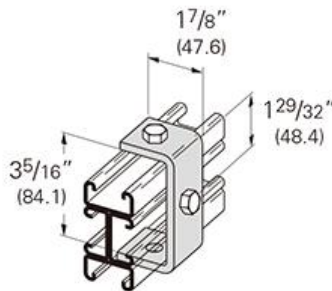
### S173 Four Hole Clevis

- Standard finishes: ZN
- Wt./C 71 Lbs. (32.2 kg)



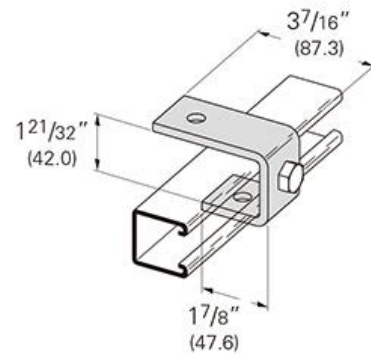
### S595 Three Hole Clevis

- Standard finishes: ZN
- Wt./C 75 Lbs. (34.0 kg)



### S405 Three Hole Suspension Clevis

- Standard finishes: ZN
- Wt./C 75 Lbs. (34.0 kg)

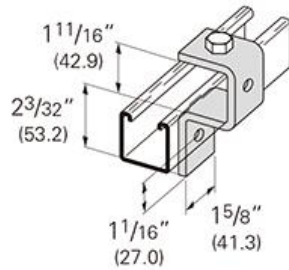




## S398

### Three Hole Cup Support

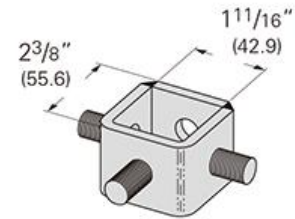
- Standard finishes: ZN
- Wt./C 73 Lbs. (33.1 kg)



## S400

### Three Stud Ring Connection

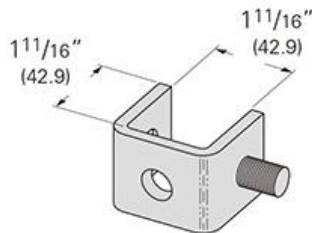
- 1/2"-13 stud protrudes 1" (25.4mm)
- Standard finishes: ZN
- Wt./C 85 Lbs. (38.5 kg)



## S400-1

### One Stud Ring Connection

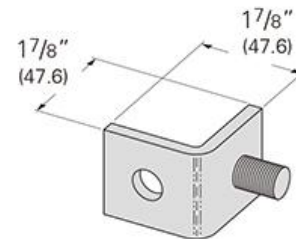
- 1/2"-13 stud protrudes 1" (25.4mm)
- Standard finishes: ZN
- Wt./C 53 Lbs. (24.0 kg)



## S400-2

### One Stud Ring Connection

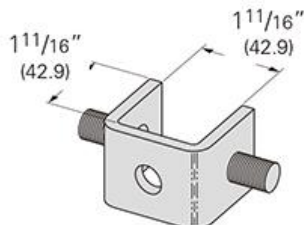
- 1/2"-13 stud protrudes 1" (25.4mm)
- Standard finishes: ZN
- Wt./C 40 Lbs. (18.1 kg)



## S400-3

### Two Stud Ring Connection

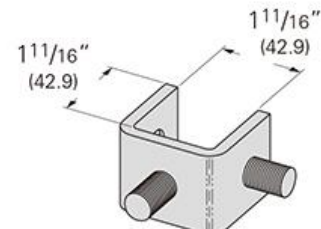
- 1/2"-13 stud protrudes 1" (25.4mm)
- Standard finishes: ZN
- Wt./C 59 Lbs. (26.7 kg)



## S400-4

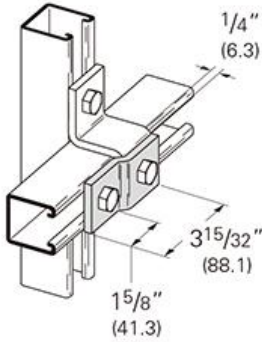
### Two Stud Ring Connection

- 1/2"-13 stud protrudes 1" (25.4mm)
- Standard finishes: ZN
- Wt./C 59 Lbs. (26.7 kg)



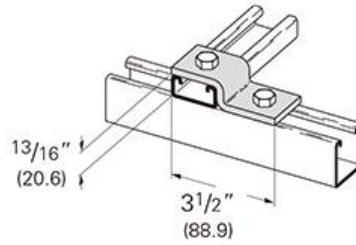
**S526**  
**Two Hole Offset Z-Support**

- Standard finishes: ZN
- Wt./C 38 Lbs. (17.2 kg)



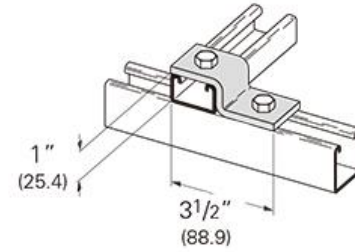
**S106-52**  
**Two Hole Offset Z-Support for B52**

- Standard finishes: ZN
- Wt./C 40 Lbs. (18.1 kg)



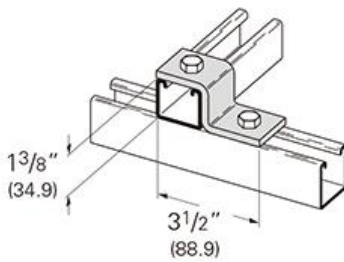
**S106-42**  
**Two Hole Offset Z-Support for B42**

- Standard finishes: ZN
- Wt./C 44 Lbs. (20.0 kg)



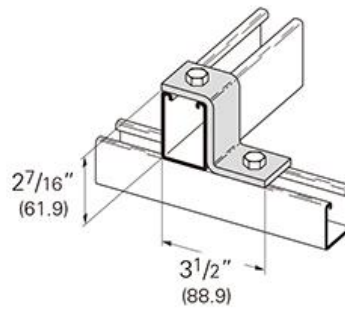
**S106-32**  
**Two Hole Offset Z-Support for B32**

- Standard finishes: ZN
- Wt./C 51 Lbs. (23.1 kg)



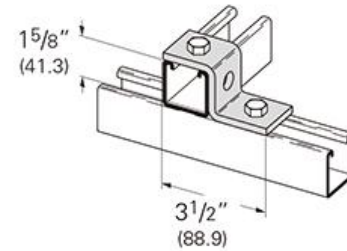
**S106-12**  
**Two Hole Offset Z-Support for B12**

- Standard finishes: ZN
- Wt./C 63 Lbs. (28.6 kg)



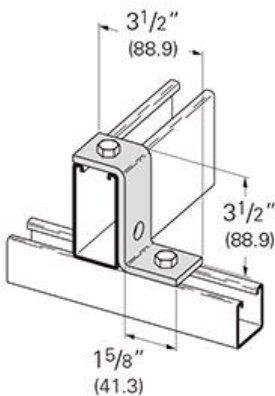
**S105**  
**Three Hole Offset Z-Support for B22**

- Standard finishes: ZN, HDG
- Wt./C 51 Lbs. (23.1 kg)



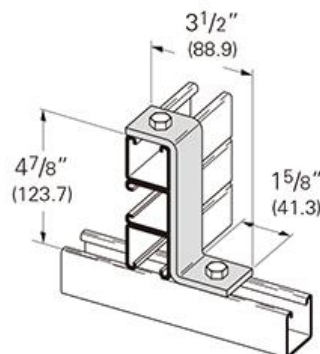
**S110**  
**Three Hole Offset Z-Support for B11**

- Standard finishes: ZN
- Wt./C 70 Lbs. (31.7 kg)



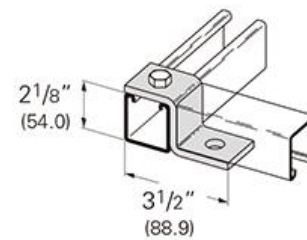
**S586**  
**Two Hole Z-Support**

- Standard finishes: ZN
- Wt./C 90 Lbs. (40.8 kg)



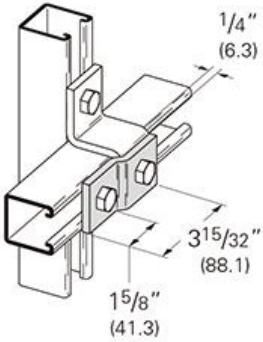
**S108**  
**Two Hole Offset Z-Support**

- Standard finishes: ZN
- Wt./C 55 Lbs. (24.9 kg)



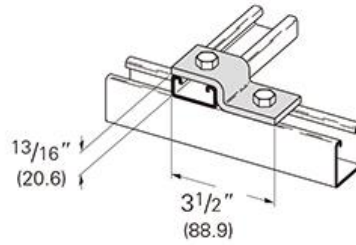
**S526**  
**Two Hole Offset Z-Support**

- Standard finishes: ZN
- Wt./C 38 Lbs. (17.2 kg)



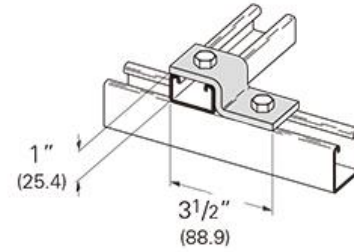
**S106-52**  
**Two Hole Offset Z-Support**

- Standard finishes: ZN
- Wt./C 40 Lbs. (18.1 kg)



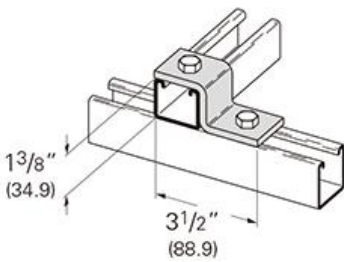
**S106-42**  
**Two Hole Offset Z-Support**

- Standard finishes: ZN
- Wt./C 44 Lbs. (20.0 kg)



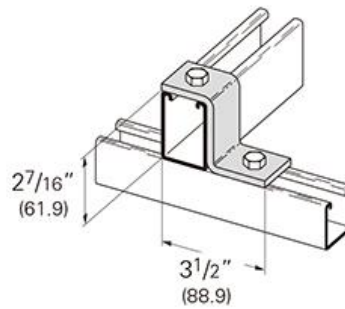
**S106-32**  
**Two Hole Offset Z-Support**

- Standard finishes: ZN
- Wt./C 51 Lbs. (23.1 kg)



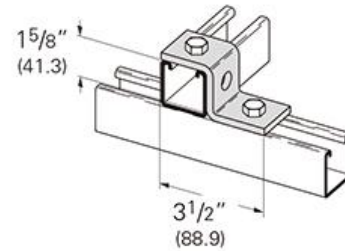
**S106-12**  
**Two Hole Offset Z-Support**

- Standard finishes: ZN
- Wt./C 63 Lbs. (28.6 kg)



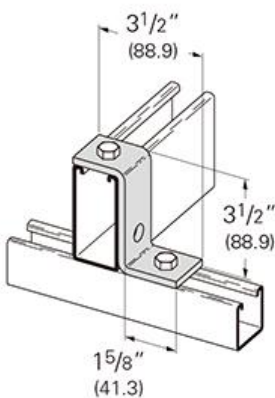
**S105**  
**Three Hole Offset Z-Support**

- Standard finishes: ZN, HDG
- Wt./C 51 Lbs. (23.1 kg)



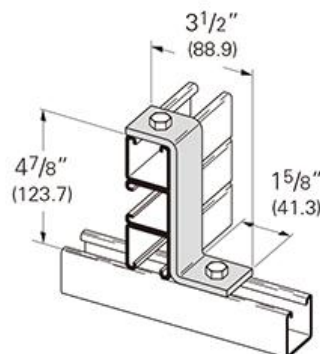
**S110**  
**Three Hole Offset Z-Support**

- Standard finishes: ZN
- Wt./C 70 Lbs. (31.7 kg)



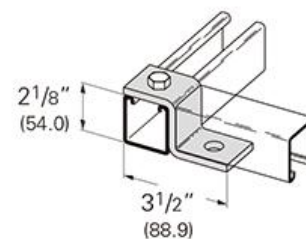
**S586**  
**Two Hole Z-Support**

- Standard finishes: ZN
- Wt./C 90 Lbs. (40.8 kg)



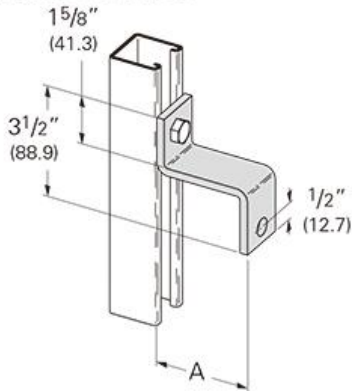
**S108**  
**Two Hole Offset Z-Support**

- Standard finishes: ZN
- Wt./C 55 Lbs. (24.9 kg)



**S387**  
Two Hole Z-Bus Duct Connection

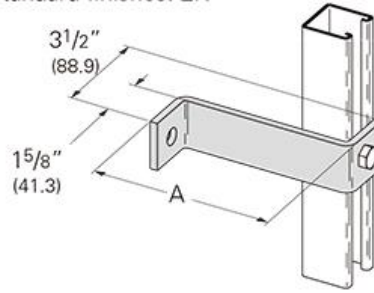
- Standard finishes: ZN



Part No.	A		Wt./C	
	In.	mm	Lbs.	kg
<b>S387</b>	4 <sup>3</sup> / <sub>4</sub> "	(120.6)	89	(40.3)
<b>S387-1</b>	3 <sup>25</sup> / <sub>32</sub> "	(96.0)	78	(35.4)
<b>S387-2</b>	2 <sup>13</sup> / <sub>32</sub> "	(61.1)	62	(28.1)

**S407**  
Two Hole Z-Support

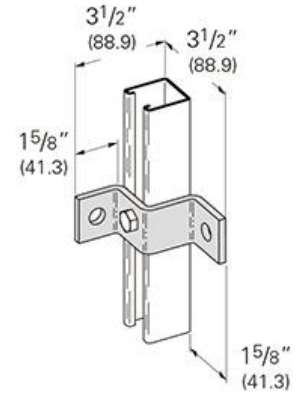
- Standard finishes: ZN



Part No.	A		Wt./C	
	In.	mm	Lbs.	kg
<b>S407-4</b>	4"	(101.6)	77	(34.9)
<b>S407-5</b>	5"	(127.0)	95	(43.1)
<b>S407-6</b>	6"	(152.4)	98	(44.4)
<b>S407-7</b>	7"	(177.8)	105	(47.6)
<b>S407-8</b>	8"	(203.2)	120	(54.4)
<b>S407-9</b>	9 <sup>5</sup> / <sub>8</sub> "	(244.5)	138	(62.6)

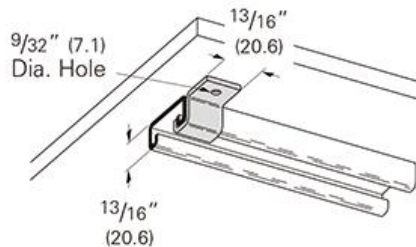
**S111**  
Three Hole Sheath Corner Connection

- Standard finishes: ZN
- Wt./C 68 Lbs. (30.8 kg)



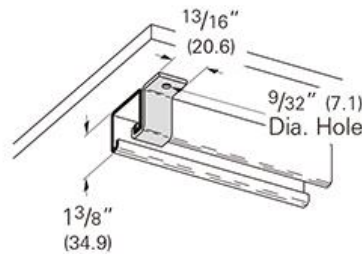
**S410-52**  
Channel Hanger Bracket

- Material: 11 Gauge (3.0)  
ASTM A1011 HSLAS Gr. 50
- Standard finishes: ZN
- Wt./C 6.7 Lbs. (3.0 kg)



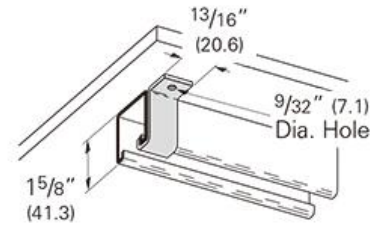
**S410-32**  
Channel Hanger Bracket

- Material: 11 Gauge (3.0)  
ASTM A1011 HSLAS Gr. 50
- Standard finishes: ZN
- Wt./C 8.3 Lbs. (3.7 kg)



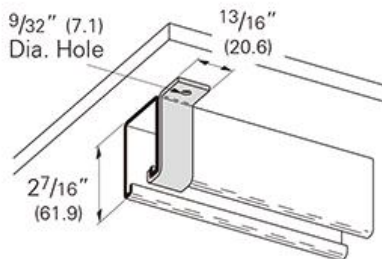
**S410-22**  
Channel Hanger Bracket

- Material: 11 Gauge (3.0)  
ASTM A1011 HSLAS Gr. 50
- Standard finishes: ZN
- Wt./C 9 Lbs. (4.1 kg)



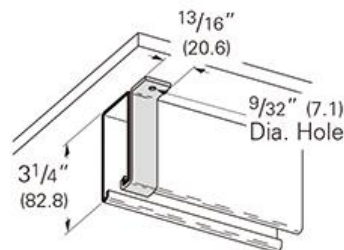
**S410-12**  
Channel Hanger Bracket

- Material: 11 Gauge (3.0)  
ASTM A1011 HSLAS Gr. 50
- Standard finishes: ZN
- Wt./C 11.2 Lbs. (5.1 kg)



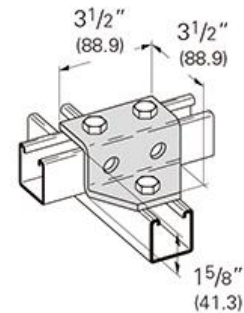
**S410-11**  
Channel Hanger Bracket

- Material: 11 Gauge (3.0)  
ASTM A1011 HSLAS Gr. 50
- Standard finishes: ZN
- Wt./C 13.4 Lbs. (6.1 kg)



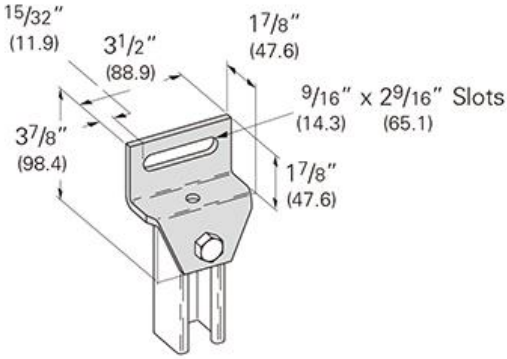
**S580**  
Five Hole Gussetted Z-Support

- Standard finishes: ZN
- Wt./C 100 Lbs. (45.3 kg)



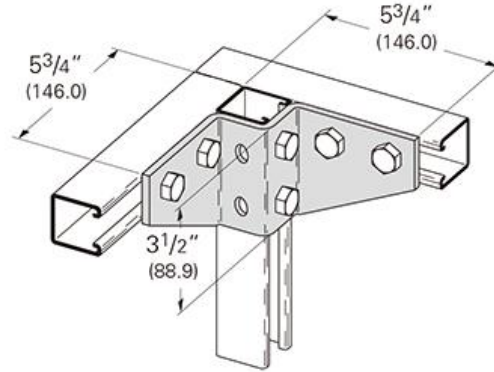
**S515**  
Adjustable Offset Gusseted Z-Support

- Standard finishes: ZN
- Wt./C 93 Lbs. (42.2 kg)



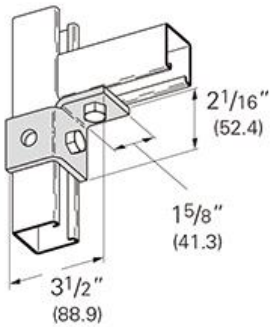
**S428**  
Eight Hole Gusseted Corner Connection

- Standard finishes: ZN
- Wt./C 203 Lbs. (92.1 kg)



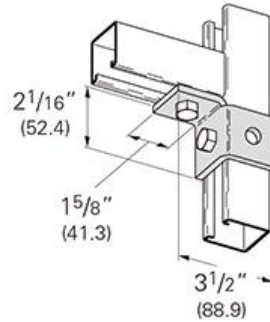
**S267R**  
Three Hole Single Corner Connection (Right Hand)

- Standard finishes: ZN
- Wt./C 54 Lbs. (24.5 kg)



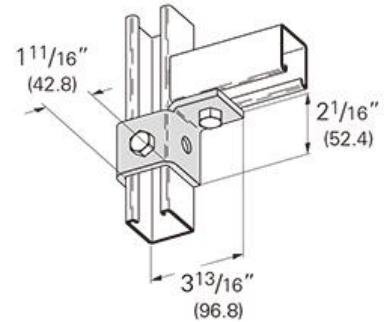
**S267L**  
Three Hole Single Corner Connection (Left Hand)

- Standard finishes: ZN
- Wt./C 54 Lbs. (24.5 kg)



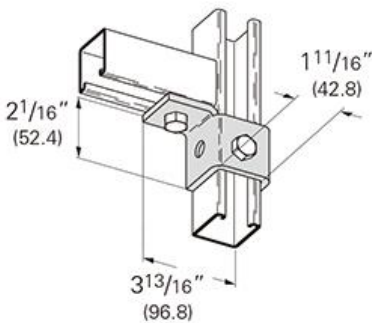
**S270R**  
Four Hole Single Corner Connection (Right Hand)

- Standard finishes: ZN
- Wt./C 77 Lbs. (34.9 kg)



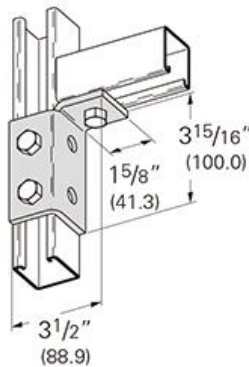
**S270L**  
Four Hole Single Corner Connection (Left Hand)

- Standard finishes: ZN
- Wt./C 77 Lbs. (34.9 kg)



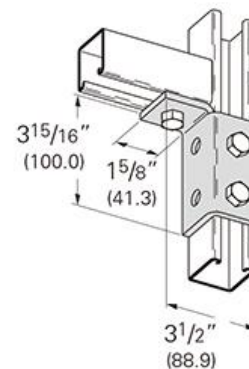
**S268R**  
Five Hole Single Corner Connection (Right Hand)

- Standard finishes: ZN
- Wt./C 100 Lbs. (45.3 kg)



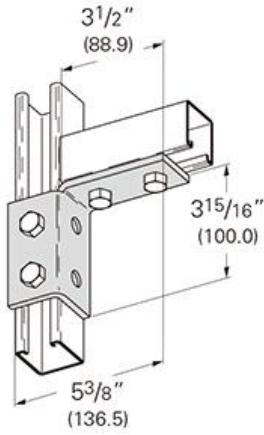
**S268L**  
Five Hole Single Corner Connection (Left Hand)

- Standard finishes: ZN
- Wt./C 100 Lbs. (45.3 kg)



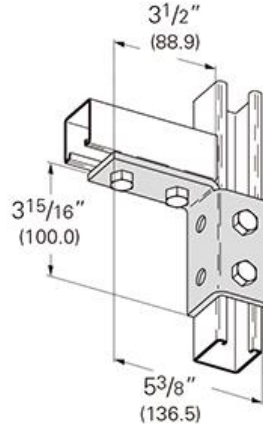
**S269R**  
**Six Hole Single Corner Connection (Right Hand)**

- Standard finishes: ZN
- Wt./C 120 Lbs. (54.4 kg)



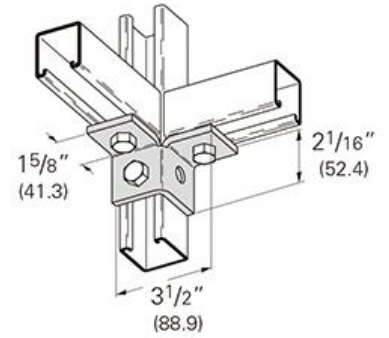
**S269L**  
**Six Hole Single Corner Connection (Left Hand)**

- Standard finishes: ZN
- Wt./C 120 Lbs. (54.4 kg)



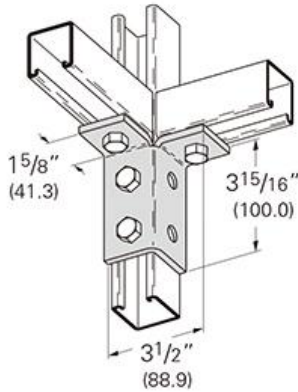
**S119**  
**Six Hole Double Corner Connection**

- Standard finishes: ZN
- Wt./C 71 Lbs. (32.2 kg)



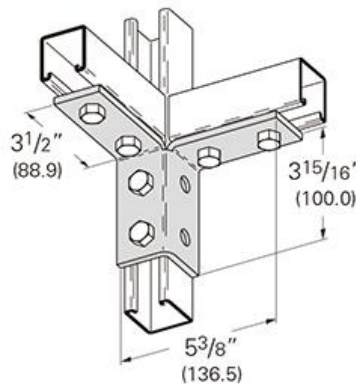
**S120**  
**Six Hole Double Corner Connection**

- Standard finishes: ZN
- Wt./C 110 Lbs. (49.9 kg)



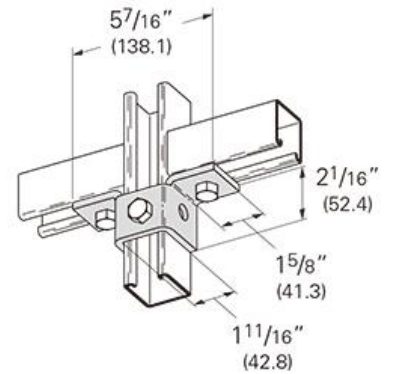
**S121**  
**Eight Hole Double Corner Connection**

- Standard finishes: ZN
- Wt./C 152 Lbs. (68.9 kg)



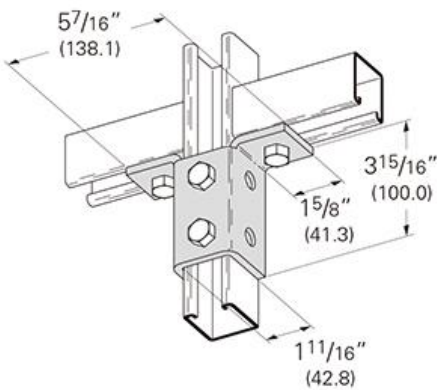
**S271**  
**Five Hole Double Wing Connection**

- Standard finishes: ZN
- Wt./C 95 Lbs. (43.1 kg)



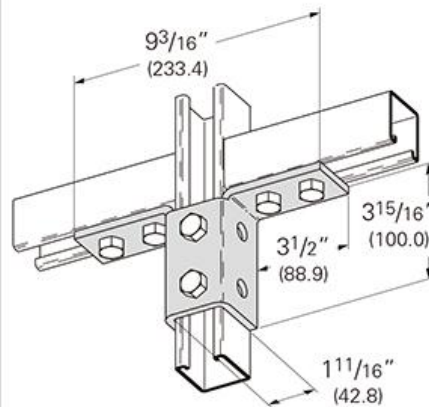
**S272**  
**Eight Hole Double Wing Connection**

- Standard finishes: ZN
- Wt./C 156 Lbs. (70.7 kg)



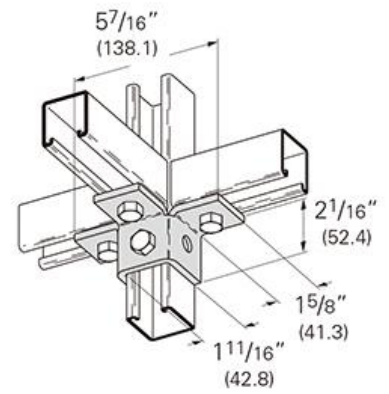
**S273**  
**Ten Hole Double Wing Connection**

- Standard finishes: ZN
- Wt./C 185 Lbs. (83.9 kg)



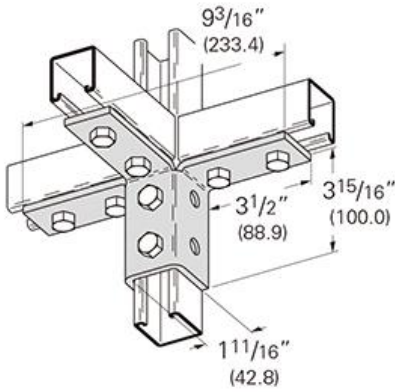
**S122**  
**Six Hole Triple Wing Connection**

- Standard finishes: ZN
- Wt./C 110 Lbs. (49.9 kg)



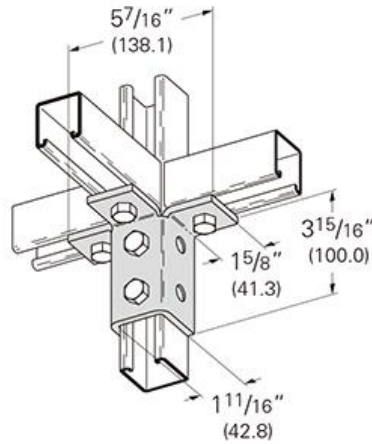
**S123**  
**Twelve Hole Triple Wing Connection**

- Standard finishes: ZN
- Wt./C 234 Lbs. (106.1 kg)



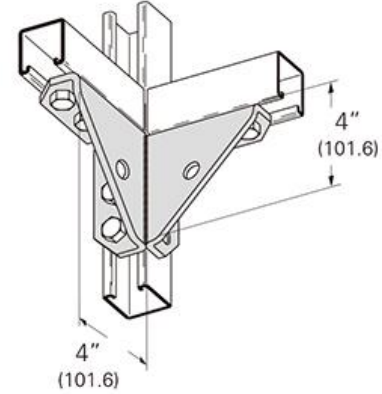
**S124**  
**Nine Hole Triple Wing Connection**

- Standard finishes: ZN
- Wt./C 177 Lbs. (80.3 kg)



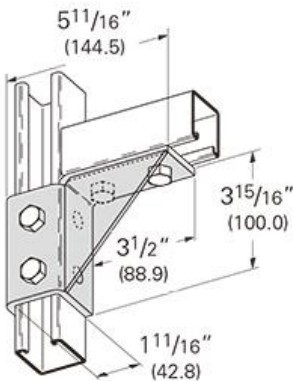
**S276**  
**Fourteen Hole Double Corner Gussetted Connection**

- Standard finishes: ZN
- Wt./C 196 Lbs. (88.9 kg)



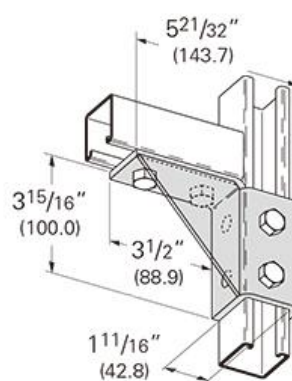
**S274R**  
**Eight Hole Single Corner Gussetted Connection (Right Hand)**

- Standard finishes: ZN
- Wt./C 176 Lbs. (79.8 kg)



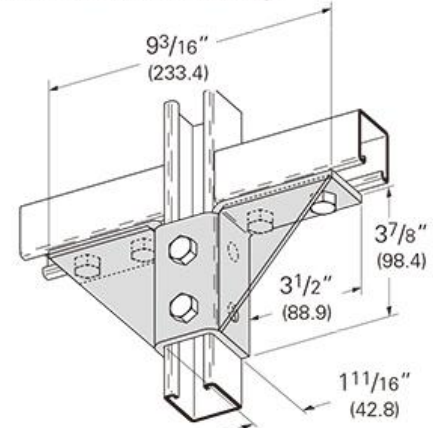
**S274L**  
**Eight Hole Single Corner Gussetted Connection (Left Hand)**

- Standard finishes: ZN
- Wt./C 176 Lbs. (79.8 kg)



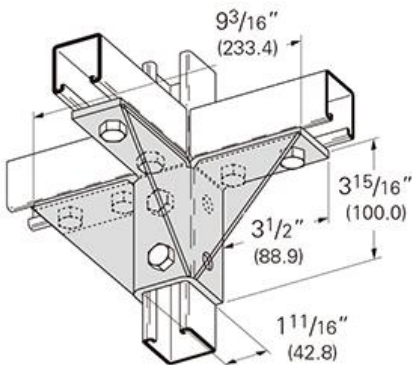
**S495**  
**Ten Hole Double Wing Gussetted Connection**

- Standard finishes: ZN
- Wt./C 240 Lbs. (108.8 kg)



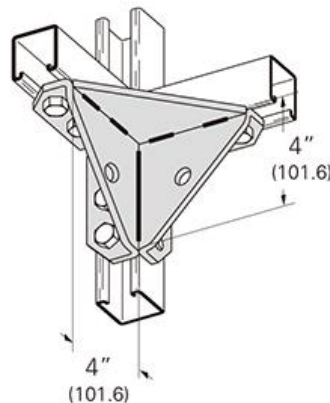
**S277**  
**Twelve Hole Triple Wing Gussetted Connection**

- Standard finishes: ZN, GRN
- Wt./C 285 Lbs. (129.3 kg)



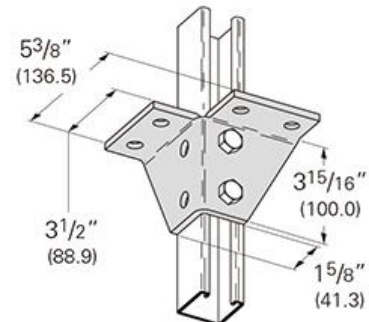
**S362**  
**Eight Hole Double Corner Gussetted Connection**

- Standard finishes: ZN
- Wt./C 226 Lbs. (102.5 kg)



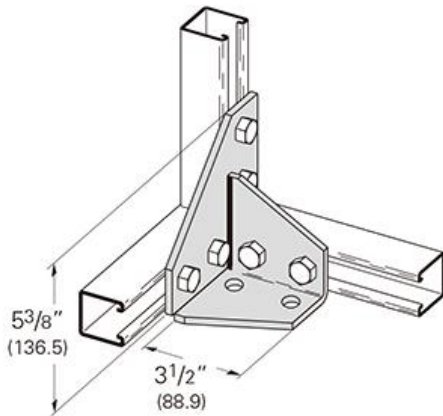
**S571**  
**Eight Hole Wing Connection**

- Standard finishes: ZN
- Wt./C 201 Lbs. (91.2 kg)



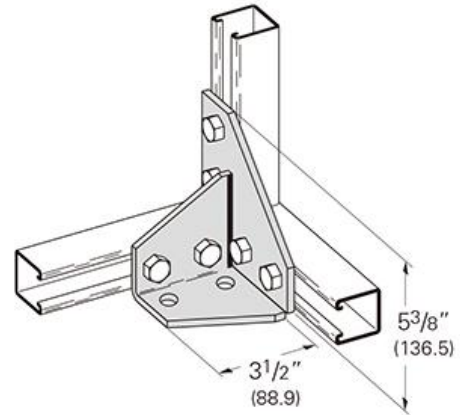
**S346**  
**Eight Hole Double Corner Gussetted Connection**  
**(Left Hand)**

- Standard finishes: ZN
- Wt./C 242 Lbs. (109.8 kg)



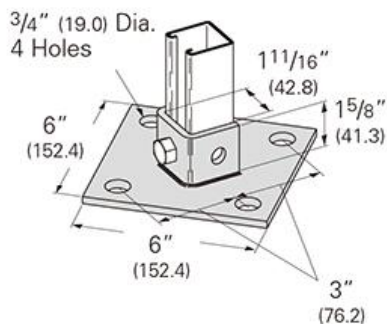
**S346R**  
**Eight Hole Double Corner Gussetted Connection**  
**(Right Hand)**

- Standard finishes: ZN
- Wt./C 242 Lbs. (109.8 kg)



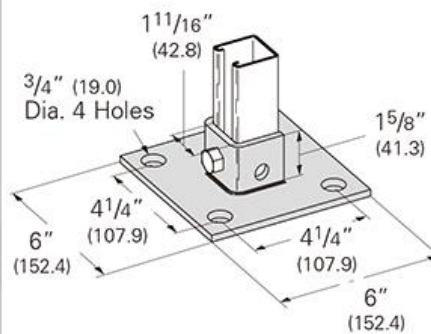
**S279**  
**Post Base**

- Standard finishes: ZN
- Wt./C 314 Lbs. (142.4 kg)



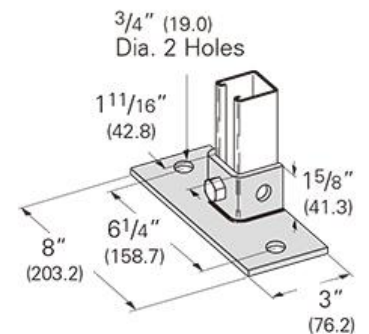
**S279SQ**  
**Post Base**

- Standard finishes: ZN
- Wt./C 314 Lbs. (142.4 kg)



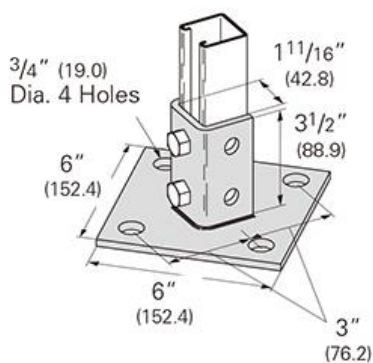
**S279FL**  
**Post Base**

- Standard finishes: ZN
- Wt./C 230 Lbs. (104.3 kg)



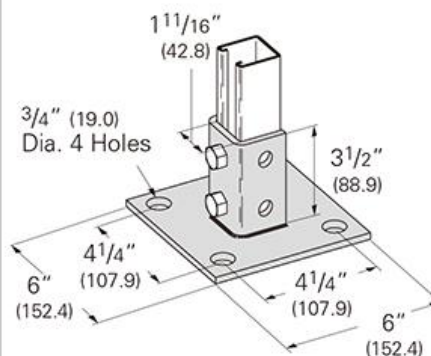
**S280**  
**Post Base**

- Standard finishes: ZN, HDG
- Wt./C 392 Lbs. (177.8 kg)



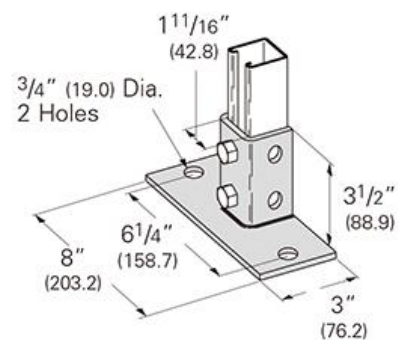
**S280SQ**  
**Post Base**

- Standard finishes: ZN, HDG
- Wt./C 392 Lbs. (177.8 kg)



**S280FL**  
**Post Base**

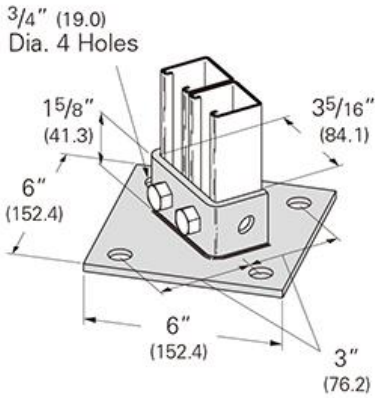
- Standard finishes: ZN, HDG
- Wt./C 312 Lbs. (141.5 kg)





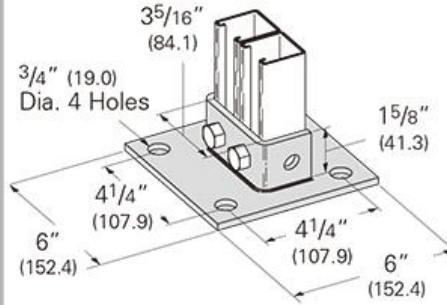
## S281A Post Base

- Standard finishes: ZN
- Wt./C 330 Lbs. (149.7 kg)



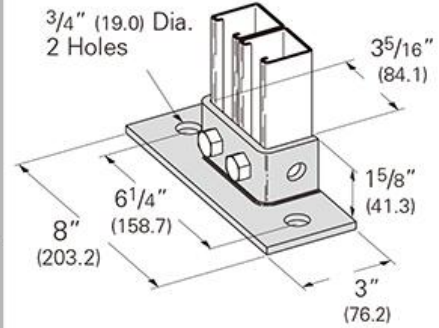
## S281ASQ Post Base

- Standard finishes: ZN
- Wt./C 330 Lbs. (149.7 kg)



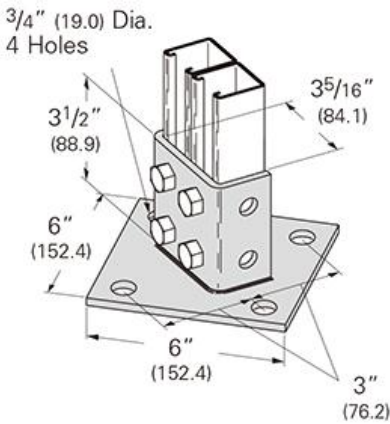
## S281AFL Post Base

- Standard finishes: ZN
- Wt./C 250 Lbs. (113.4 kg)



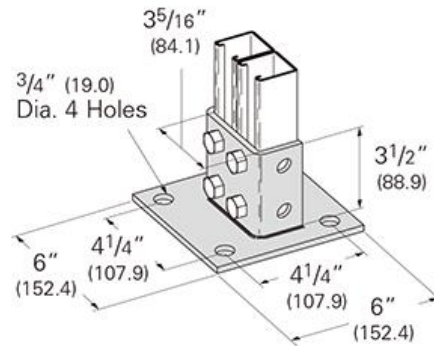
## S281 Post Base

- Standard finishes: ZN, HDG
- Wt./C 400 Lbs. (181.4 kg)



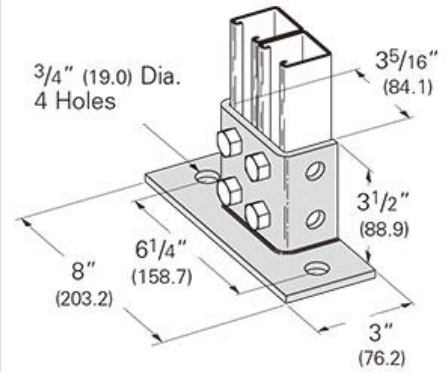
## S281SQ Post Base

- Standard finishes: ZN, HDG
- Wt./C 400 Lbs. (181.4 kg)



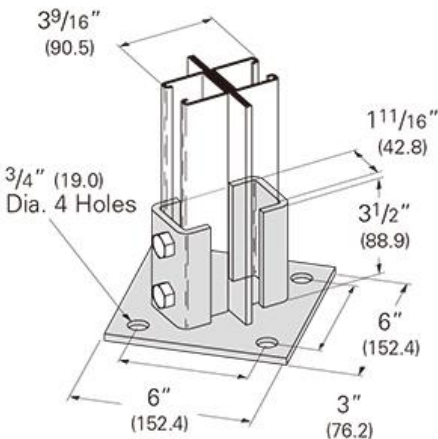
## S281FL Post Base

- Standard finishes: ZN
- Wt./C 320 Lbs. (145.1 kg)



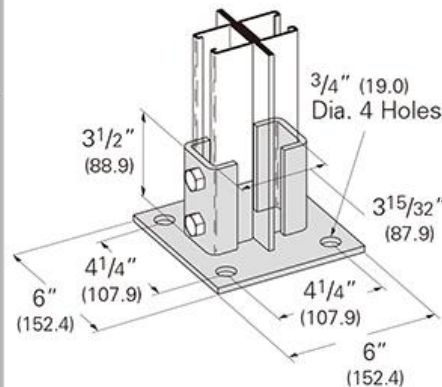
## S281M Post Base

- Standard finishes: ZN
- Wt./C 470 Lbs. (213.2 kg)



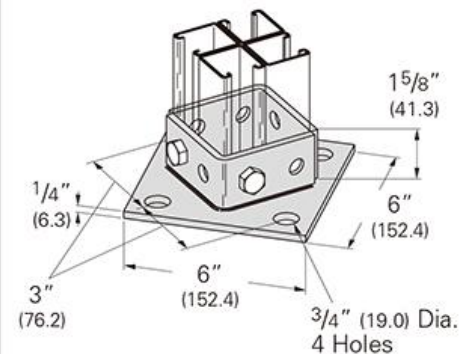
## S281MSQ Post Base

- Standard finishes: ZN
- Wt./C 470 Lbs. (213.2 kg)



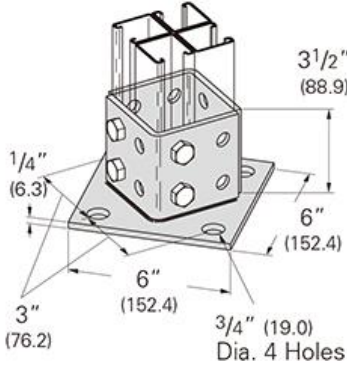
## S570 Post Base Channel Combinations

- Standard finishes: ZN
- Wt./C 397 Lbs. (180.1 kg)



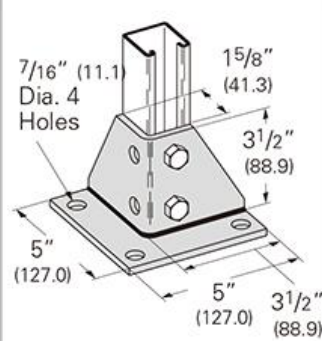
## S570A Post Base for Four Channel Combinations

- Standard finishes: ZN, GRN
- Wt./C 550 Lbs. (249.5 kg)



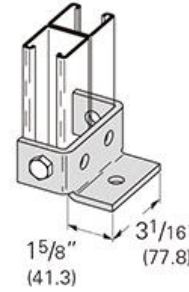
## S278 Post Base for B22

- Standard finishes: ZN, GRN
- Wt./C 288 Lbs. (130.6 kg)



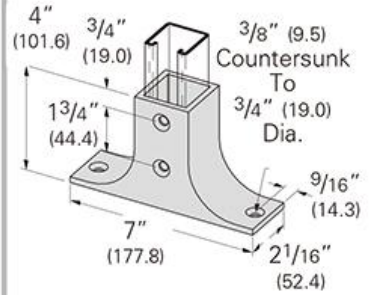
## S585 Post Base for B22A

- Standard finishes: ZN, GRN
- Wt./C 97 Lbs. (44.0 kg)



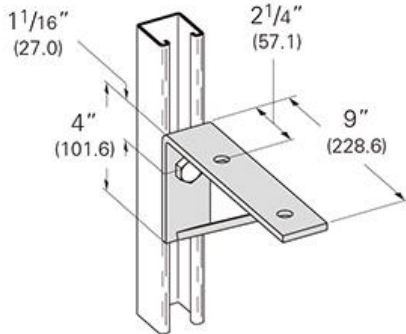
## S300 Post Base

- Material: Malleable Iron
- Standard finishes: ZN, GRN
- Wt./C 259 Lbs. (117.5 kg)



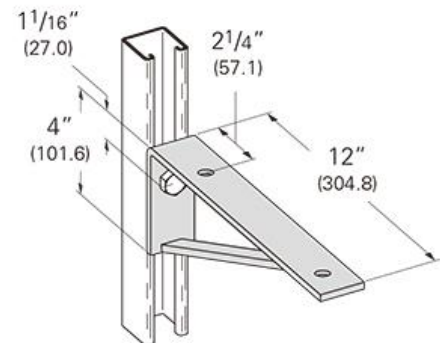
## S187 Bracket

- Uniform Loading 1450 Lbs. (6.45 kN)
- Safety Factor of 2.5
- Hole Spacing on Bracket Top 5<sup>5</sup>/<sub>16</sub>" (150.8) Center to Center
- Standard finishes: ZN
- Wt./C 193 Lbs. (87.5 kg)



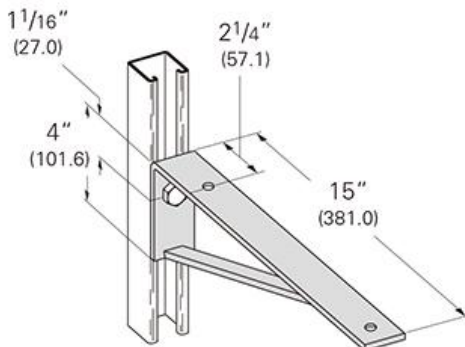
## S188 Bracket

- Uniform Loading 1080 Lbs. (4.80 kN)
- Safety Factor of 2.5
- Hole Spacing on Bracket Top 8<sup>15</sup>/<sub>16</sub>" (227.0) Center to Center
- Standard finishes: ZN
- Wt./C 241 Lbs. (109.3 kg)



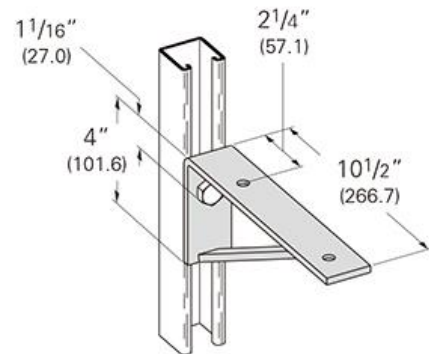
## S189 Bracket

- Uniform Loading 870 Lbs. (3.87 kN)
- Safety Factor of 2.5
- Hole Spacing on Bracket Top 11<sup>15</sup>/<sub>16</sub>" (303.2) Center to Center
- Standard finishes: ZN, GRN
- Wt./C 308 Lbs. (139.7 kg)



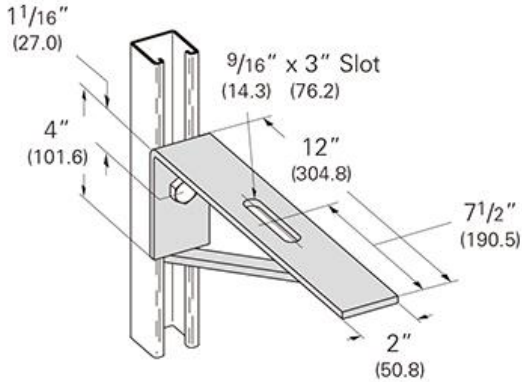
## S841 Bracket

- Uniform Loading 1240 Lbs. (5.51 kN)
- Safety Factor of 2.5
- Hole Spacing on Bracket Top 7<sup>7</sup>/<sub>16</sub>" (188.9) Center to Center
- Standard finishes: ZN, GRN
- Wt./C 201 Lbs. (91.2 kg)



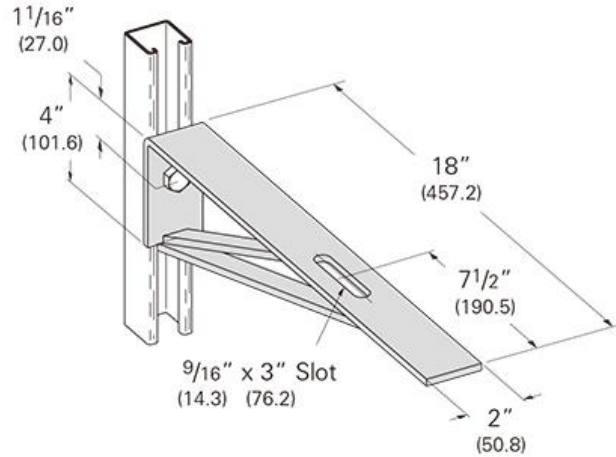
## S190 12" (304.8) Bracket

- Uniform Loading 900 Lbs. (4.00 kN)
- Safety Factor of 2.5
- Standard finishes: ZN
- Wt./C 260 Lbs. (117.9 kg)



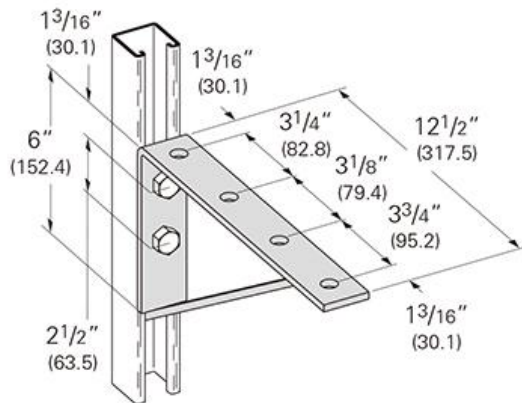
## S191-18 18" (457.2) Bracket

- Uniform Loading 600 Lbs. (2.67 kN)
- Safety Factor of 2.5
- Standard finishes: ZN
- Wt./C 377 Lbs. (171.0 kg)



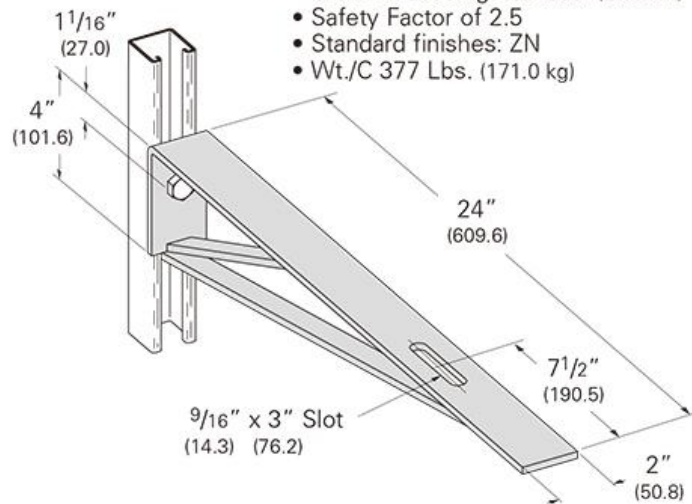
## S289-12 12 1/2" (317.5) Bracket

- Uniform Loading 1040 Lbs. (4.63 kN)
- Safety Factor of 2.5
- Standard finishes: ZN
- Wt./C 285 Lbs. (129.3 kg)



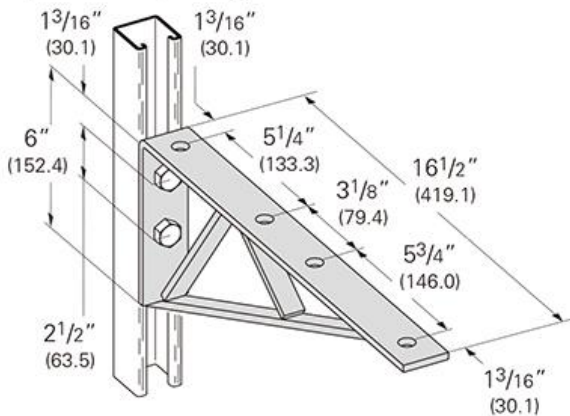
## S191-24 24" (609.6) Bracket

- Uniform Loading 450 Lbs. (2.00 kN)
- Safety Factor of 2.5
- Standard finishes: ZN
- Wt./C 377 Lbs. (171.0 kg)



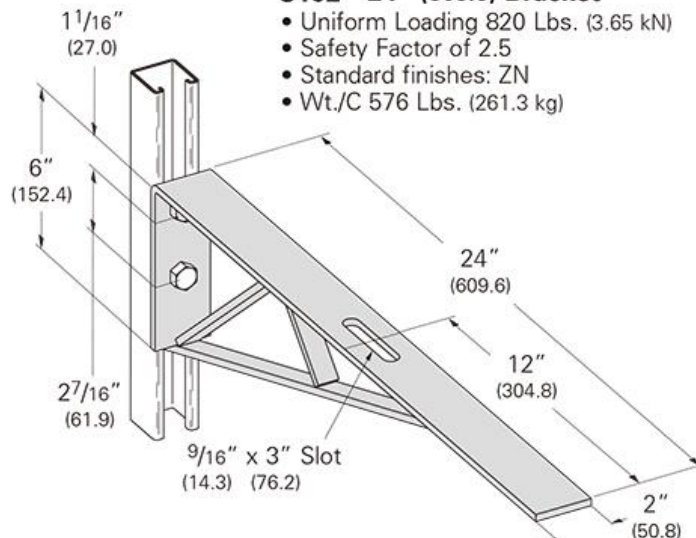
## S290 16 1/2" (419.1) Bracket

- Uniform Loading 1200 Lbs. (5.34 kN)
- Safety Factor of 2.5
- Standard finishes: ZN
- Wt./C 405 Lbs. (183.7 kg)



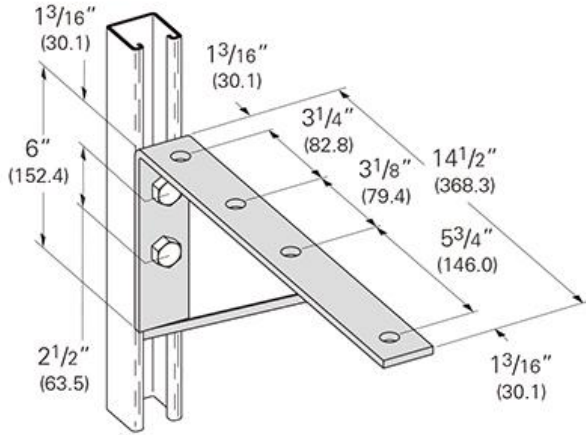
## S192 24" (609.6) Bracket

- Uniform Loading 820 Lbs. (3.65 kN)
- Safety Factor of 2.5
- Standard finishes: ZN
- Wt./C 576 Lbs. (261.3 kg)



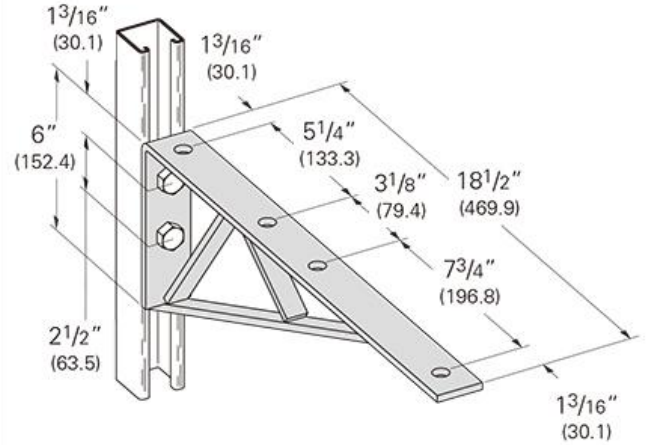
## S289-14 14<sup>1</sup>/<sub>2</sub>" (368.3) Bracket

- Uniform Loading 900 Lbs. (4.00 kN)
- Safety Factor of 2.5
- Standard finishes: ZN
- Wt./C 295 Lbs. (133.8 kg)



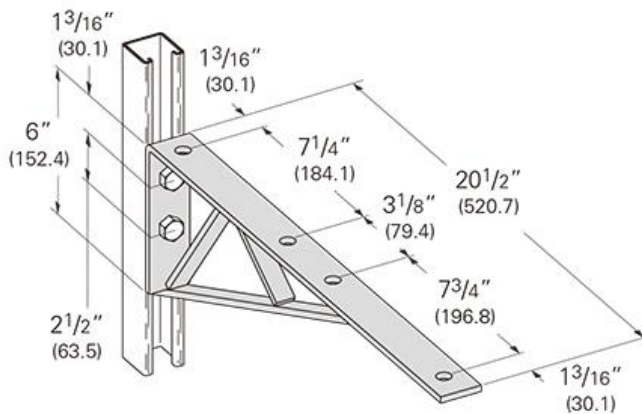
## S291 18<sup>1</sup>/<sub>2</sub>" (469.9) Bracket

- Uniform Loading 1070 Lbs. (4.76 kN)
- Safety Factor of 2.5
- Standard finishes: ZN
- Wt./C 468 Lbs. (212.3 kg)



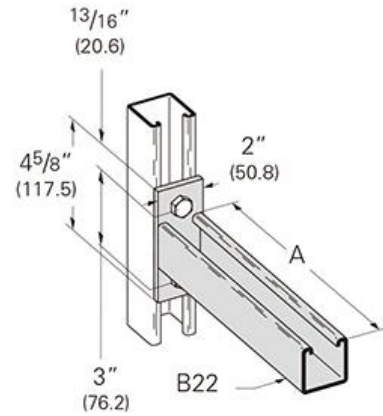
## S292 20<sup>1</sup>/<sub>2</sub>" (520.7) Bracket

- Uniform Loading 600 Lbs. (2.67 kN)
- Safety Factor of 2.5
- Standard finishes: ZN, HDG
- Wt./C 490 Lbs. (222.2 kg)



## S409 Single Channel Bracket

- Safety Factor of 2.5
- Standard finishes: ZN



Part No.	A		Uniform Load		Wt./C	
	In.	mm	Lbs.	kN	Lbs.	kg
<b>S409-6</b>	6"	(152.4)	1920	(8.54)	152	(68.9)
<b>S409-9</b>	9"	(228.6)	1280	(5.69)	195	(88.4)
<b>S409-12</b>	12"	(304.8)	960	(4.27)	232	(105.2)
<b>S409-14</b>	14"	(355.6)	800	(3.56)	274	(124.3)
<b>S409-16</b>	16"	(406.4)	730	(3.25)	314	(142.4)
<b>S409-18</b>	18"	(457.2)	640	(2.84)	347	(157.4)
<b>S409-24</b>	24"	(609.6)	480	(2.13)	450	(204.1)